

**SHALLCO SERIES 26**  
**Part Number: 26207B**



308 COMPONENTS DRIVE  
 SMITHFIELD, NC 27577 USA

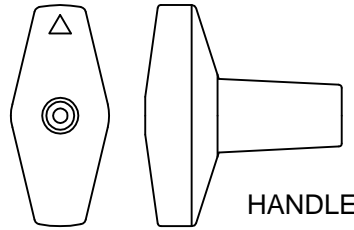
**General:**

Meets requirements for 1 - 25 ampere switching of resistive loads to .75 power factor at voltages to 600 V AC and 250 V DC resistive loads

**Electrical Ratings:** 25A/120 VAC  
 15A/600 VAC  
 20A/600 VAC (RES)  
 3A/125 VDC  
 1A/250 VDC



- \* Current carrying capacity: 25 amperes
- \* Dielectric Withstanding Voltage: 2200 Vrms
- \* Contact Resistance: Initial, 10 milliohms max.
- \* Insulation Resistance: 100 Megohms min., initial

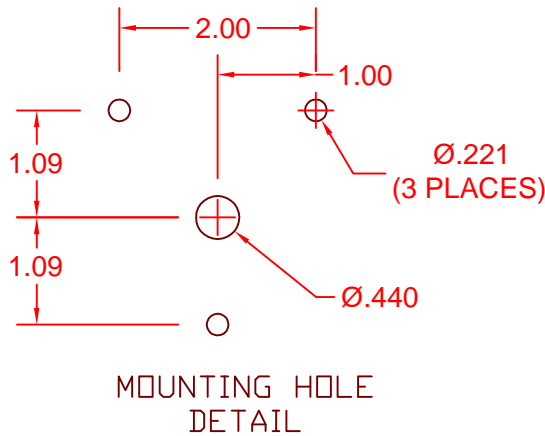


**Mechanical:**

- \* Sections: 7
- \* Positions: 8 Adjustable (See contact table)
- \* Indexing: 45° positive detent
- \* Rotational Life: 65,000 operations

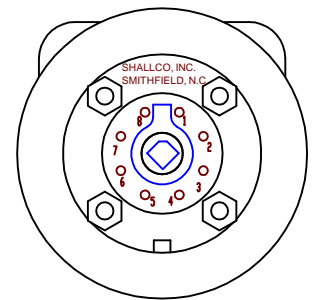
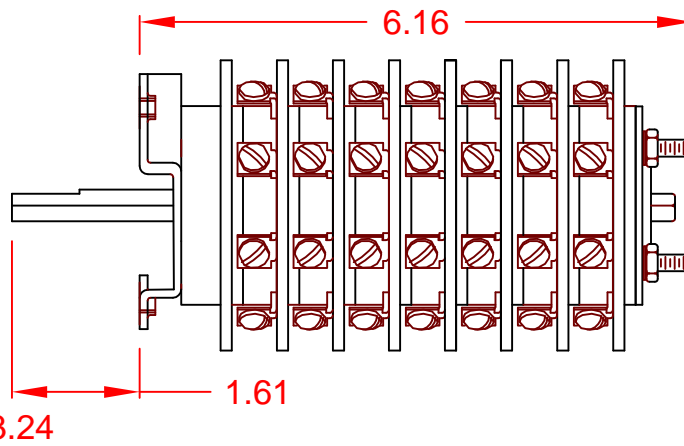
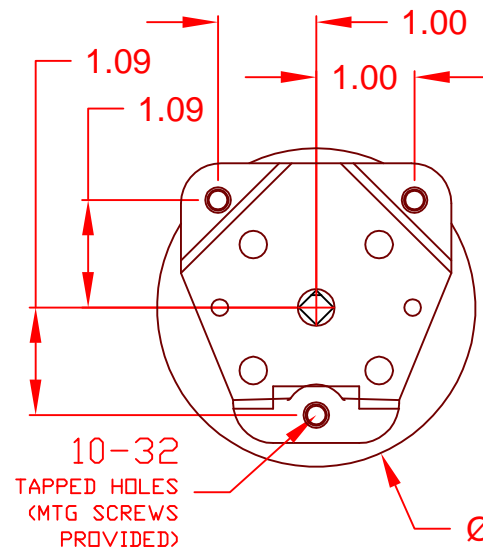
**Materials and Finishes:**

- \* Rotors and Stators: Thermoset Plastic UL 94VO
- \* Rotor contacts: Phosphor bronze
- \* Stator contacts: Silver plated copper screw type
- \* Terminal hardware: silver plated brass
- \* Exterior Metal: Steel with zinc chromate finish



**CONTACT TABLE**

DECK	CONTACTS	POSITION							
		1	2	3	4	5	6	7	8
1	11								
	12	X							
	13								
	14								
	15								
	16	X							
	17								
2	21								
	22	X							
	23								
	24								
	25								
	26	X							
	27								
3	31								
	32	X							
	33								
	34								
	35								
	36	X							
	37								
4	41								
	42	X							
	43								
	44								
	45								
	46	X							
	47								
5	51								
	52	X							
	53								
	54								
	55								
	56	X							
	57								
6	61								
	62	X							
	63								
	64								
	65								
	66	X							
	67								
7	71								
	72	X							
	73								
	74								
	75								
	76	X							
	77								



**26207B**



308 COMPONENTS DRIVE  
 SMITHFIELD, NC 27577 USA