

SHALLCO SERIES 26
Part Number: 26207B-2



308 COMPONENTS DRIVE
 SMITHFIELD, NC 27577 USA

General:

Meets requirements for 1 - 25 ampere switching of resistive loads to .75 power factor at voltages to 600 V AC and 250 V DC resistive loads

Electrical Ratings: 25A/120 VAC
 15A/600 VAC
 20A/600 VAC (RES)
 3A/125 VDC
 1A/250 VDC



- * Current carrying capacity: 25 amperes
- * Dielectric Withstanding Voltage: 2200 Vrms
- * Contact Resistance: Initial, 10 milliohms max.
- * Insulation Resistance: 100 Megohms min., initial

Mechanical:

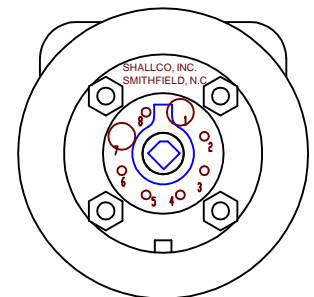
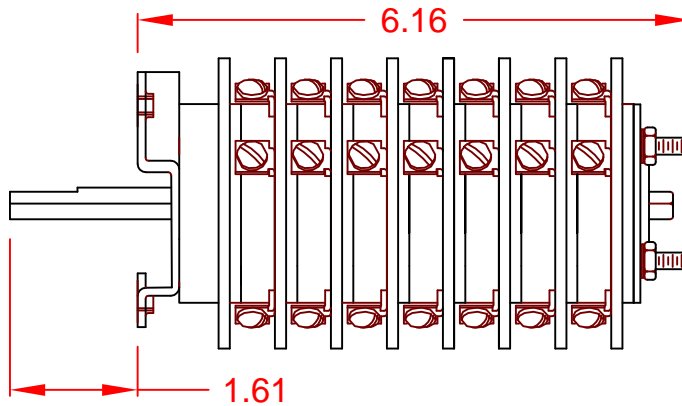
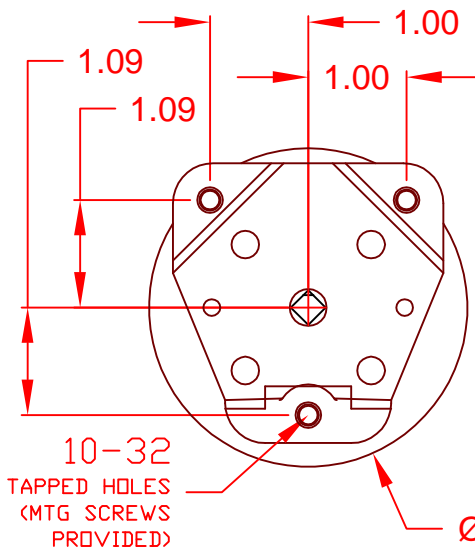
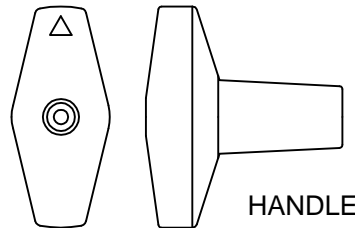
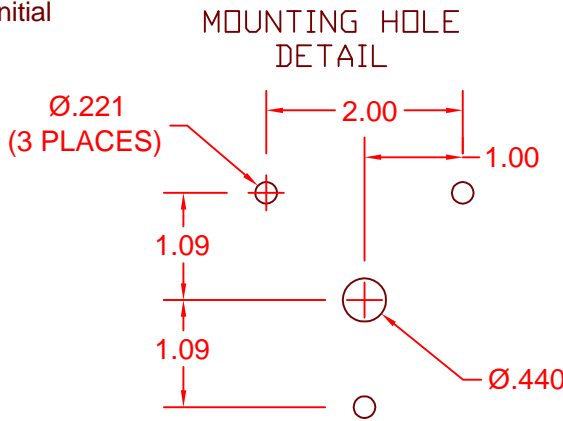
- * Sections: 7
- * Positions: 2
- * Indexing: 45° positive detent
- * Rotational Life: 65,000 operations

Materials and Finishes:

- * Rotors and Stators: Thermoset Plastic
 UL 94VO
- * Rotor contacts: Phosphor bronze
- * Stator contacts: Silver plated copper
 screw type
- * Terminal hardware: silver plated brass
- * Exterior Metal: Steel with zinc chromate finish

DECK	CONTACTS	POS	
		1	2
1	11 — — 12	X	
	12 — — 13		X
	15 — — 16	X	
	16 — — 17		X
2	21 — — 22	X	
	22 — — 23		X
	25 — — 26	X	
3	26 — — 27		X
	31 — — 32	X	
	32 — — 33		X
	35 — — 36	X	
4	36 — — 37		X
	41 — — 42	X	
	42 — — 43		X
	45 — — 46	X	
5	46 — — 47		X
	51 — — 52	X	
	52 — — 53		X
	55 — — 56	X	
6	56 — — 57		X
	61 — — 62	X	
	62 — — 63		X
	65 — — 66	X	
7	66 — — 67		X
	71 — — 72	X	
	72 — — 73		X
	75 — — 76	X	
	76 — — 77		X

CONTACT TABLE



26207B -2



308 COMPONENTS DRIVE
 SMITHFIELD, NC 27577 USA