

SHALLCO SERIES 26
Part Number: 26206D



308 COMPONENTS DRIVE
 SMITHFIELD, NC 27577 USA

General:

Meets requirements for 1 - 25 ampere switching of resistive loads to .75 power factor at voltages to 600 V AC and 250 V DC resistive loads

Electrical Ratings: 25A/120 VAC
 15A/600 VAC
 20A/600 VAC (RES)
 3A/125 VDC
 1A/250 VDC



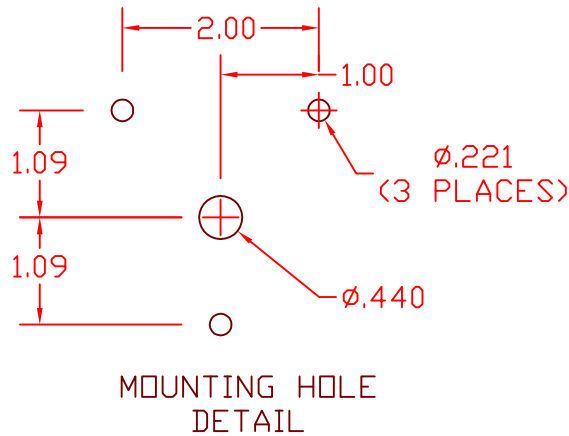
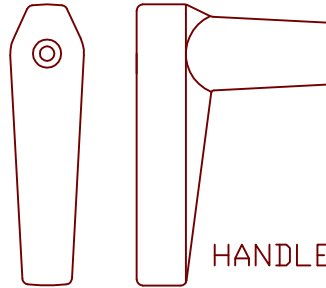
- * Current carrying capacity: 25 amperes
- * Dielectric Withstanding Voltage: 2200 Vrms
- * Contact Resistance: Initial, 10 milliohms max.
- * Insulation Resistance: 100 Megohms min., initial

Mechanical:

- * Sections: 65
- * Positions: 8 Adjustable (See Truth Table)
- * Indexing: 45° positive detent
- * Rotational Life: 65,000 operations

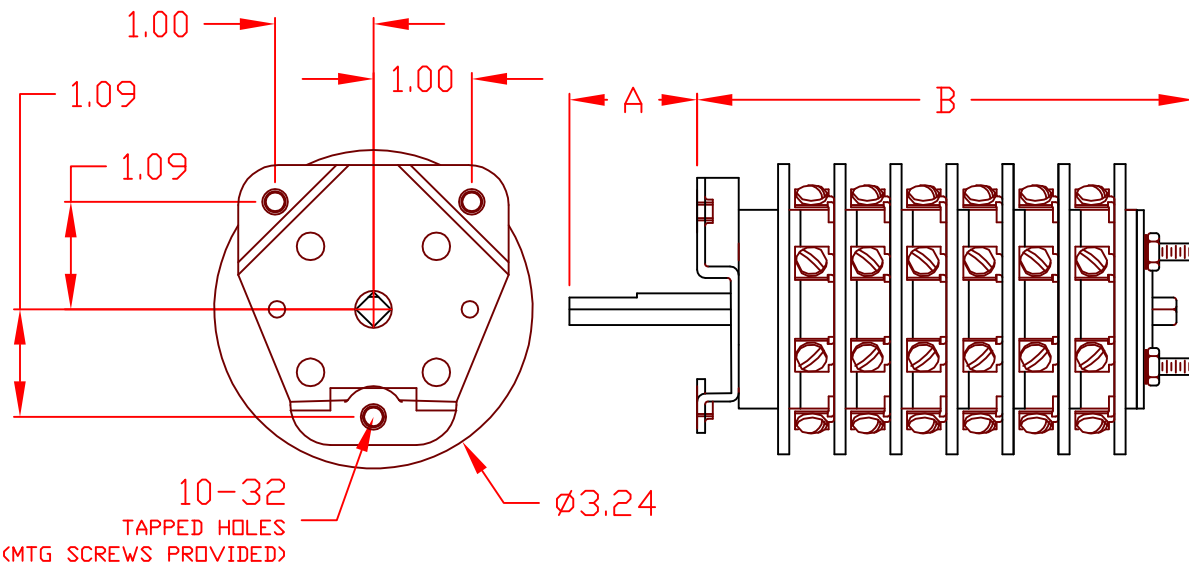
Materials and Finishes:

- * Rotors and Stators: Thermoset Plastic
 UL 94VO
- * Rotor contacts: Phosphor bronze
- * Stator contacts: Silver plated copper
 screw type
- * Terminal hardware: silver plated brass
- * Exterior Metal: Steel with zinc chromate finish



CONTACT TABLE

DECK	CONTACTS	POSITION							
		1	2	3	4	5	6	7	8
1	11								
	12	X							
	13		X						
	14			X					
	15				X				
	16					X			
	17						X		
2	18								
	21	X							
	22		X						
	23			X					
	24				X				
	25					X			
	26						X		
3	27								
	28	X							
	31		X						
	32			X					
	33				X				
	34					X			
	35						X		
4	36								
	37	X							
	38		X						
	41			X					
	42				X				
	43					X			
	44						X		
5	45								
	46	X							
	47		X						
	48			X					
	51				X				
	52					X			
	53						X		
6	54								
	55	X							
	56		X						
	57			X					
	58				X				
	61					X			
	62						X		



26206D

HANDLE TYPE: B (OVAL)
 "A" DIM: 1.61
 "B" DIM: 5.41



308 COMPONENTS DRIVE
 SMITHFIELD, NC 27577 USA

REV. A