

**SHALLCO SERIES 26**  
**Part Number: 26206B**

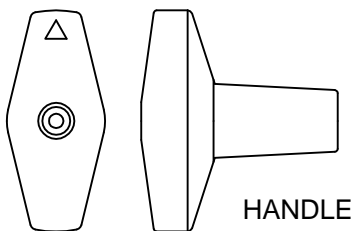


308 COMPONENTS DRIVE  
 SMITHFIELD, NC 27577 USA

**General:**

Meets requirements for 1 - 25 ampere switching of resistive loads to .75 power factor at voltages to 600 V AC and 250 V DC resistive loads

Electrical Ratings: 25A/120 VAC  
 15A/600 VAC  
 20A/600 VAC (RES)  
 3A/125 VDC  
 1A/250 VDC



HANDLE

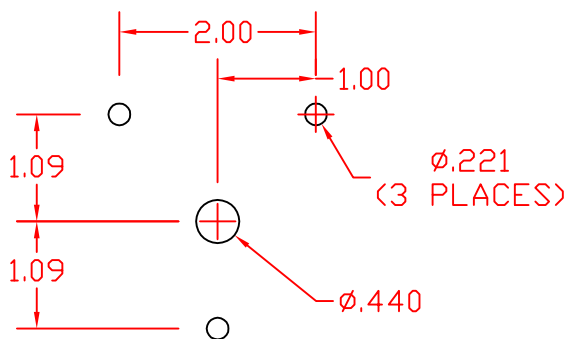
- \* Current carrying capacity: 25 amperes
- \* Dielectric Withstanding Voltage: 2200 Vrms
- \* Contact Resistance: Initial, 10 milliohms max.
- \* Insulation Resistance: 100 Megohms min., initial

**Mechanical:**

- \* Sections: 65
- \* Positions: 8 Adjustable (See Truth Table)
- \* Indexing: 45° positive detent
- \* Rotational Life: 65,000 operations

**Materials and Finishes:**

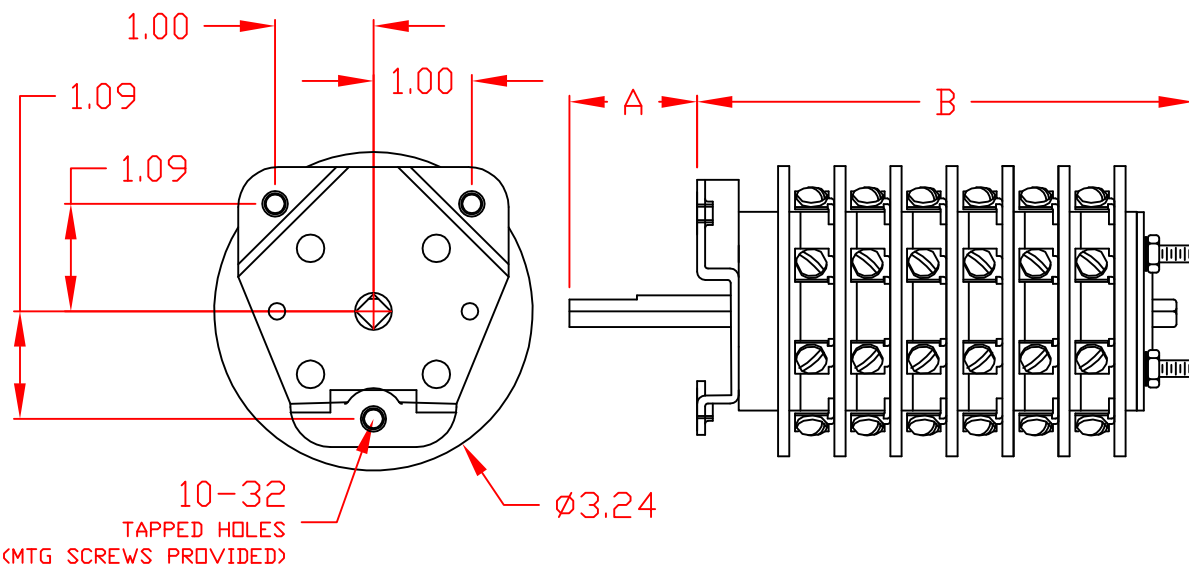
- \* Rotors and Stators: Thermoset Plastic  
 UL 94VO
- \* Rotor contacts: Phosphor bronze
- \* Stator contacts: Silver plated copper  
 screw type
- \* Terminal hardware: silver plated brass
- \* Exterior Metal: Steel with zinc chromate finish



MOUNTING HOLE  
 DETAIL

**CONTACT TABLE**

DECK	CONTACTS	POSITION							
		1	2	3	4	5	6	7	8
1	11								
	12	X							
	13		X						
	14			X					
	15				X				
	16					X			
2	17	X							
	18		X						
	19			X					
	20				X				
	21					X			
	22						X		
3	23	X							
	24		X						
	25			X					
	26				X				
	27					X			
	28						X		
4	29	X							
	30		X						
	31			X					
	32				X				
	33					X			
	34						X		
5	35	X							
	36		X						
	37			X					
	38				X				
	39					X			
	40						X		
6	41	X							
	42		X						
	43			X					
	44				X				
	45					X			
	46						X		
7	47	X							
	48		X						
	49			X					
	50				X				
	51					X			
	52						X		
8	53	X							
	54		X						
	55			X					
	56				X				
	57					X			
	58						X		
9	59	X							
	60		X						
	61			X					
	62				X				
	63					X			
	64						X		
10	65	X							
	66		X						
	67			X					
	68				X				
	69					X			
	70						X		



**26206B**

HANDLE TYPE: B (OVAL)  
 "A" DIM: 1.61  
 "B" DIM: 5.41



308 COMPONENTS DRIVE  
 SMITHFIELD, NC 27577 USA