

SHALLCO SERIES 26

Part Number: 26204E

General:

Meets requirements for 1 - 25 ampere switching of resistive loads to .75 power factor at voltages to 600 V AC and 250 V DC resistive loads

Electrical:

*Ratings:

25A/120 VAC 3A/125 VDC
 15A/240 VAC 1A/250 VDC
 6A/600 VAC

- * Current carrying capacity: 25 amperes
- * Dielectric Withstanding Voltage: 2200 Vrms
- * Contact Resistance: Initial, 10 milliohms max.
- * Insulation Resistance: 100 Megohms min., initial

Mechanical:

- * Sections: 4
- * Positions: 2 - 8, Adjustable
- * Indexing: 45°
- * Rotational Life: 65,000 operations

Materials and Finishes:

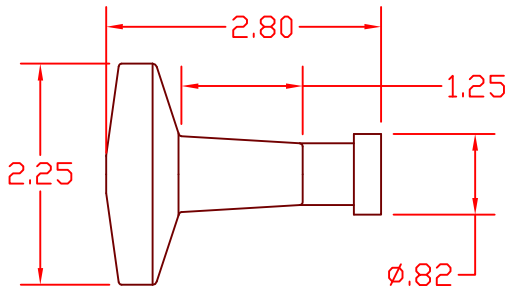
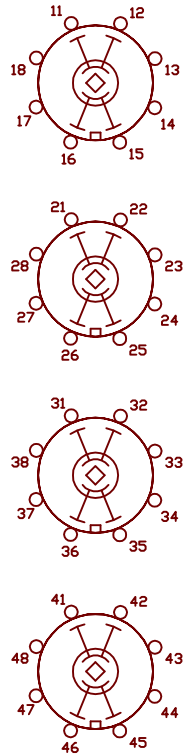
- * Rotors and Stators: Thermoset Plastic, UL 94VO
- * Rotor contacts: Phosphor bronze
- * Stator contacts: Silver plated copper, screw type
- * Terminal hardware: silver plated brass
- * Exterior Metal: Steel with zinc chromate finish
- * Knob: thermoset phenolic



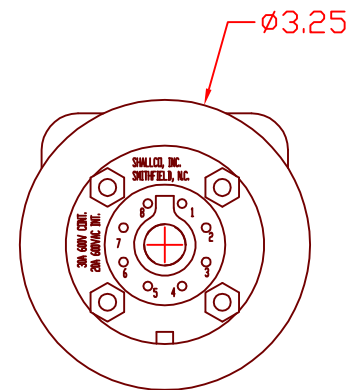
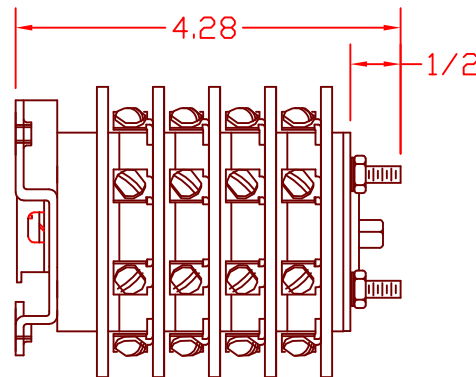
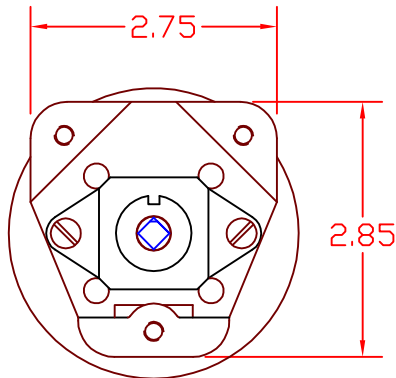
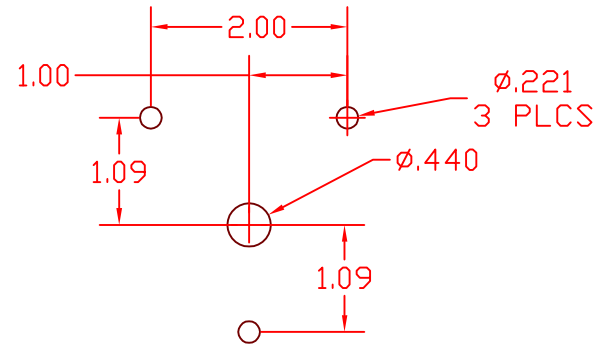
308 COMPONENTS DRIVE
 SMITHFIELD, NC 27577 USA

DECK	CONTACT	POSITION							
		1	2	3	4	5	6	7	8
1	11 - 12	X				X			
	12 - 13		X				X		
	13 - 14			X				X	
	14 - 15				X				X
	15 - 16	X				X			
	16 - 17		X				X		
	17 - 18			X				X	
	18 - 11				X				X
2	21 - 22	X				X			
	22 - 23		X				X		
	23 - 24			X				X	
	24 - 25				X				X
	25 - 26	X				X			
	26 - 27		X				X		
	27 - 28			X				X	
	28 - 21				X				X

CONTACT TABLE



HANDLE TYPE: E
 (REMOVABLE)



26204E



308 COMPONENTS DRIVE
 SMITHFIELD, NC 27577 USA