

SHALLCO SERIES 26

Part Number: 26204B

General:

Meets requirements for 1 - 25 ampere switching of resistive loads to .75 power factor at voltages to 600 V AC and 250 V DC resistive loads

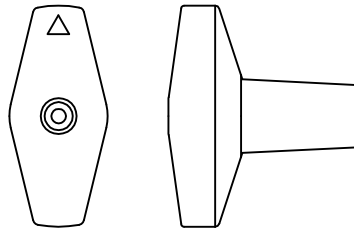
Electrical:

* Ratings:

- 25A/120 VAC
- 15A/600 VAC
- 20A/600 VAC (RESISTIVE)
- 3A/125 VDC
- 1A/250 VDC



HANDLE



- * Current carrying capacity: 25 amperes
- * Dielectric Withstanding Voltage: 2200 Vrms
- * Contact Resistance: Initial, 10 milliohms max.
- * Insulation Resistance: 100 Megohms min., initial

Mechanical:

- * Sections: 4
- * Positions: 8 (adjustable)
- * Indexing: 45°
- * Rotational Life: 65,000 operations

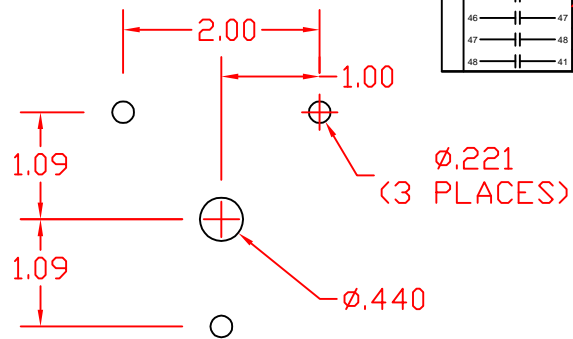
Materials and Finishes:

- * Rotors and Stators: Thermoset Plastic, UL 94VO
- * Rotor contacts: Phosphor bronze
- * Stator contacts: Silver plated copper, screw type
- * Terminal hardware: silver plated brass
- * Exterior Metal: Steel with zinc chromate finish
- * Knob: thermoset phenolic

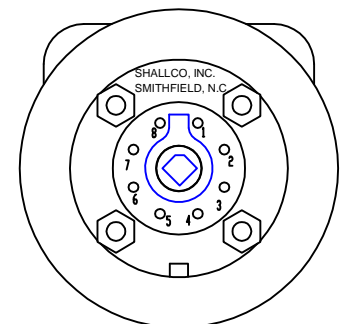
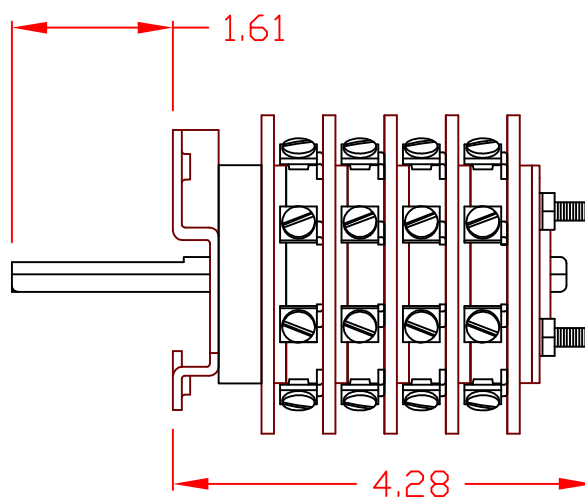
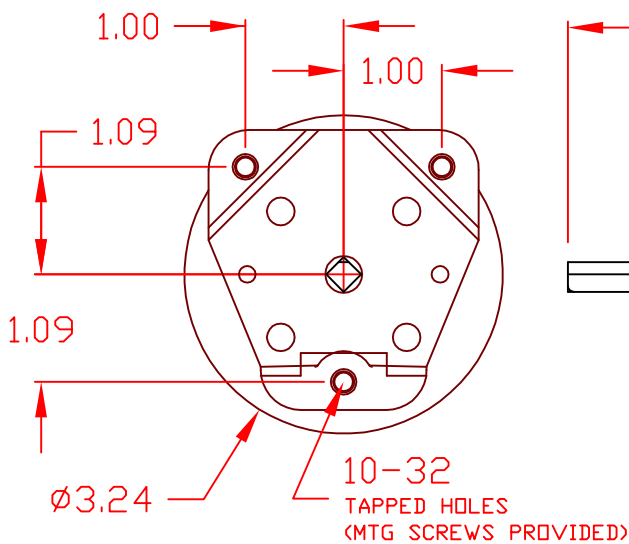


CONTACT TABLE

DECK	CONTACTS	POSITION							
		1	2	3	4	5	6	7	8
1	11								
	12								
	13								
	14								
	15								
	16								
2	17								
	18								
	21								
	22								
	23								
	24								
3	25								
	26								
	27								
	28								
	31								
	32								
4	33								
	34								
	35								
	36								
	37								
	38								
4	41								
	42								
	43								
	44								
	45								
	46								
4	47								
	48								



MOUNTING HOLE
DETAIL



CUSTOMER REFERENCE: TERMINAL SCREWF TIGHTENING TORQUE: 8 IN-LBS

DESCRIPTION

26204B



308 COMPONENTS DRIVE
SMITHFIELD, NC 27577 USA

REV A