

SHALLCO SERIES 26
Part Number: 26203D-2



308 COMPONENTS DRIVE
 SMITHFIELD, NC 27577 USA

General:

Meets requirements for 1 - 25 ampere switching of resistive loads to .75 power factor at voltages to 600 V AC and 250 VDC resistive loads

Electrical:

- * Ratings: 25A/120 VAC
- 15A/600 VAC
- 20A/600 VAC (RESISTIVE)
- 3A/125 VDC
- 1A/250 VDC
- * Current carrying capacity: 25 amperes
- * Dielectric Withstanding Voltage: 2200 Vrms
- * Contact Resistance: Initial, 10 milliohms max.
- * Insulation Resistance: 100 Megohms min., initial

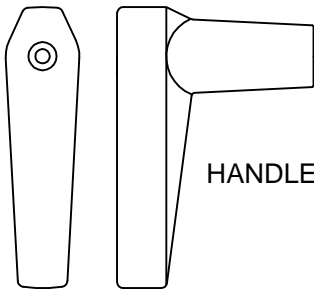


Mechanical:

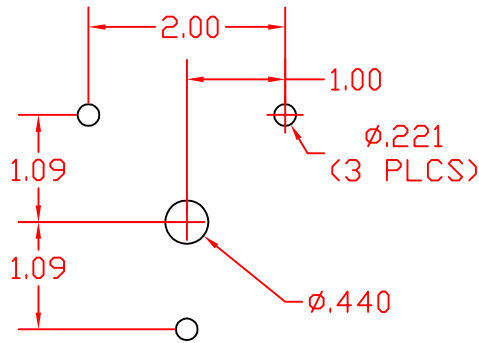
- * Sections: 3
- * Positions: 2
- * Indexing: 45°
- * Rotational Life: 65,000 operations

Materials and Finishes:

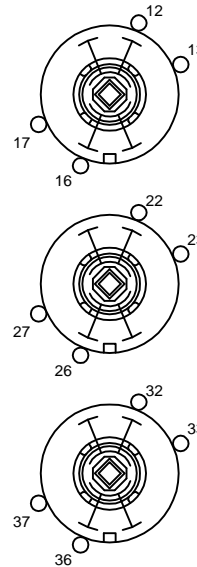
- * Rotors and Stators: Thermoset Plastic, UL 94VO
- * Rotor contacts: Phosphor bronze
- * Stator contacts: Silver plated copper, screw type
- * Terminal hardware: silver plated brass
- * Exterior Metal: Steel with zinc chromate finish
- * Knob: thermoset phenolic



HANDLE

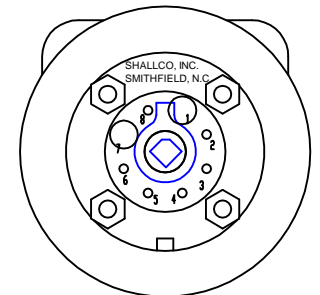
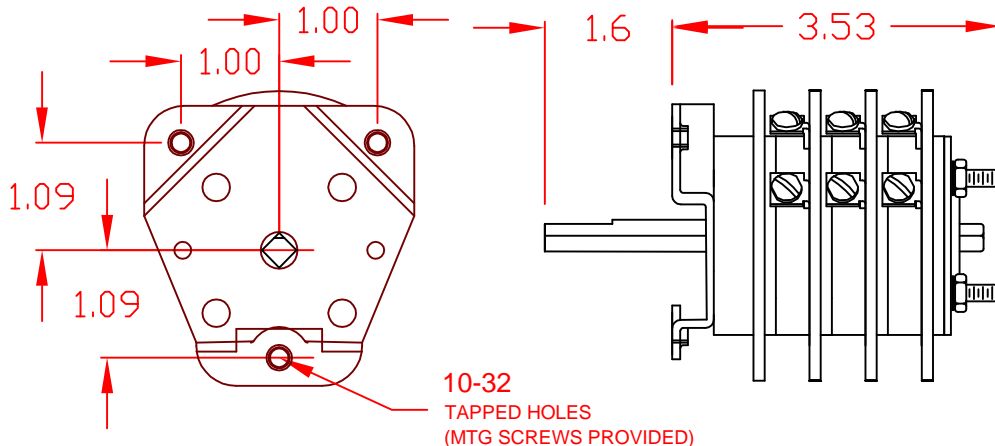


MOUNTING HOLE DETAIL



DECK	CONTACTS	POS	
		1	2
1	12 — — 13		X
	16 — — 17		X
2	22 — — 23		X
	26 — — 27		X
3	32 — — 33		X
	36 — — 37		X

CONTACT TABLE



26203D-2



308 COMPONENTS DRIVE
 SMITHFIELD, NC 27577 USA