

**SHALLCO SERIES 26**  
**Part Number: 26203B**



**CONTACT TABLE**

DECK	CONTACTS	POSITION							
		1	2	3	4	5	6	7	8
1	11 —  — 12	X				X			
	12 —  — 13		X				X		
	13 —  — 14			X				X	
	14 —  — 15				X				X
	15 —  — 16	X				X			
	16 —  — 17		X				X		
	17 —  — 18			X				X	
	18 —  — 11				X				X
2	21 —  — 22	X				X			
	22 —  — 23		X				X		
	23 —  — 24			X				X	
	24 —  — 25				X				X
	25 —  — 26	X				X			
	26 —  — 27		X				X		
	27 —  — 28			X				X	
	28 —  — 21				X				X
3	31 —  — 32	X				X			
	32 —  — 33		X				X		
	33 —  — 34			X				X	
	34 —  — 35				X				X
	35 —  — 36	X				X			
	36 —  — 37		X				X		
	37 —  — 38			X				X	
	38 —  — 31				X				X

**General:**

Meets requirements for 1 - 25 ampere switching of resistive loads to .75 power factor at voltages to 600 V AC and 250 V DC resistive loads

**Electrical Ratings:** 25A/120 VAC  
 15A/600 VAC  
 20A/600 VAC (RES)  
 3A/125 VDC  
 1A/250 VDC



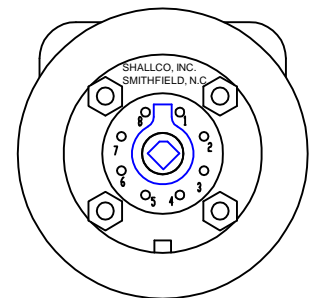
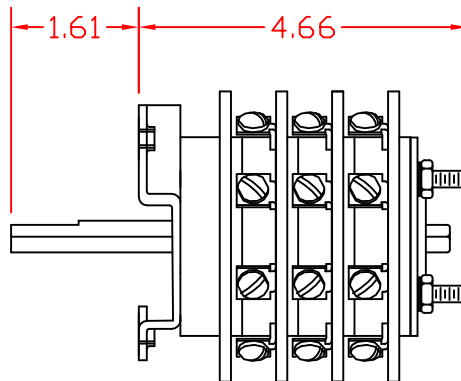
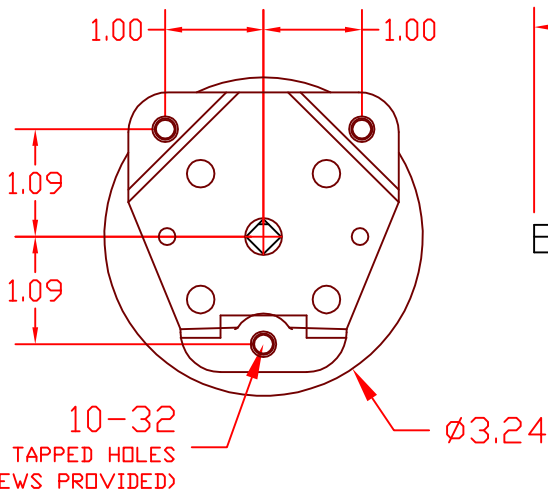
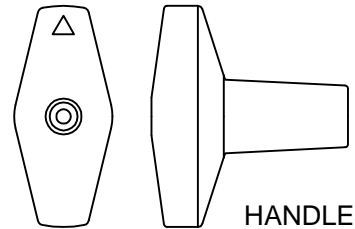
- \* Current carrying capacity: 25 amperes
- \* Dielectric Withstanding Voltage: 2200 Vrms
- \* Contact Resistance: Initial, 10 milliohms max.
- \* Insulation Resistance: 100 Megohms min., initial

**Mechanical:**

- \* Sections: 3
- \* Positions: 8 Adjustable (See Contact Table)
- \* Indexing: 45° positive detent
- \* Rotational Life: 65,000 operations

**Materials and Finishes:**

- \* Rotors and Stators: Thermoset Plastic UL 94VO
- \* Rotor contacts: Phosphor bronze
- \* Stator contacts: Silver plated copper screw type
- \* Terminal hardware: silver plated brass
- \* Exterior Metal: Steel with zinc chromate finish



**26203B**



308 COMPONENTS DRIVE  
 SMITHFIELD, NC 27577 USA