

SHALLCO SERIES 26
Part Number: 26203B-2



General:

Meets requirements for 1 - 25 ampere switching of resistive loads to .75 power factor at voltages to 600 V AC and 250 V DC resistive loads

- Electrical Ratings:**
- 25A/120 VAC
 - 15A/600 VAC
 - 20A/600 VAC (RES)
 - 3A/125 VDC
 - 1A/250 VDC



DECK	CONTACT	POSITION	
		1	2
1	11 - 12	X	
	12 - 13		X
	15 - 16		X
	16 - 17		X
2	21 - 22	X	
	22 - 23		X
	25 - 26		X
	26 - 27		X
3	31 - 32	X	
	32 - 33		X
	35 - 36		X
	36 - 37		X

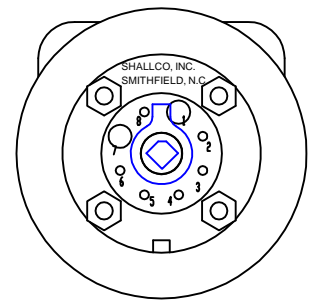
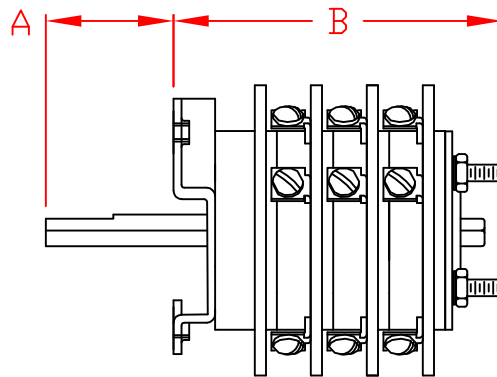
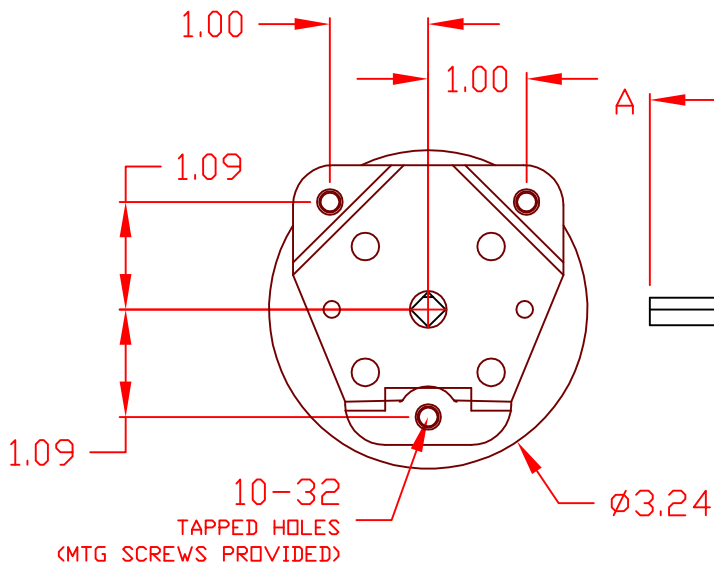
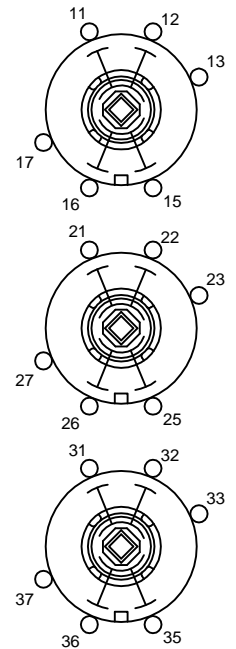
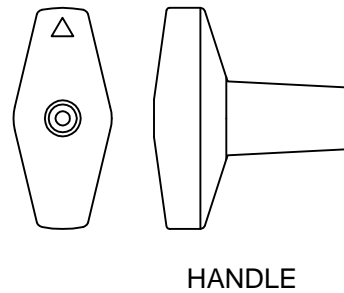
- * Current carrying capacity: 25 amperes
- * Dielectric Withstanding Voltage: 2200 Vrms
- * Contact Resistance: Initial, 10 milliohms max.
- * Insulation Resistance: 100 Megohms min., initial

Mechanical:

- * Sections: 3
- * Positions: 2 (See Contact Table) Maintained
- * Indexing: 45° positive detent
- * Handle: oval
- * Escutcheon Plate supplied
- * Rotational Life: 65,000 operations

Materials and Finishes:

- * Rotors and Stators: Thermoset Plastic, UL 94VO
- * Rotor contacts: Phosphor bronze
- * Stator contacts: Silver plated copper, screw type
- * Terminal hardware: silver plated brass
- * Exterior Metal: Steel with zinc chromate finish



HANDLE TYPE: B (OVAL)
 "A" DIM: 1.61
 "B" DIM: 3.68

26203B-2

REV. -

SWITCH SHOWN IN
 POSITION 1



308 COMPONENTS DRIVE
 SMITHFIELD, NC 27577 USA