

**Part Number: 26202B**

**General:**

Meets requirements for 1 - 25 ampere switching of resistive loads to .75 power factor at voltages to 600 V AC and 250 V DC resistive loads

**Electrical:**

\* Ratings

- 25A/125 VAC
- 15A/600 VAC
- 20A/600 VAC (RES)
- 15A/600VAC
- 3A/125 VDC
- 1A/250 VDC



- \* Current carrying capacity: 25 amperes
- \* Dielectric Withstanding Voltage: 2200 Vrms
- \* Contact Resistance: Initial, 10 milliohms max.
- \* Insulation Resistance: 100 Megohms min., initial

**Mechanical:**

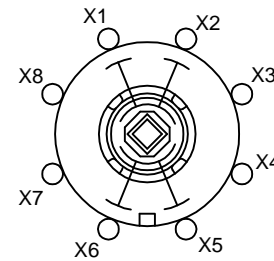
- \* Sections: 2
- \* Positions: Adjustable (See Truth Table and Operation)
- \* Operation: Non-shorting
- \* Indexing: 45°
- \* Rotational Life: 65,000 operations
- \* Handle: Oval

**Materials and Finishes:**

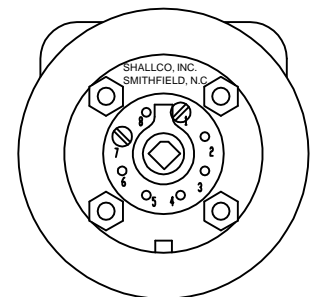
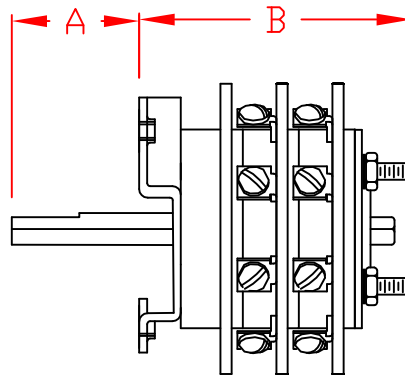
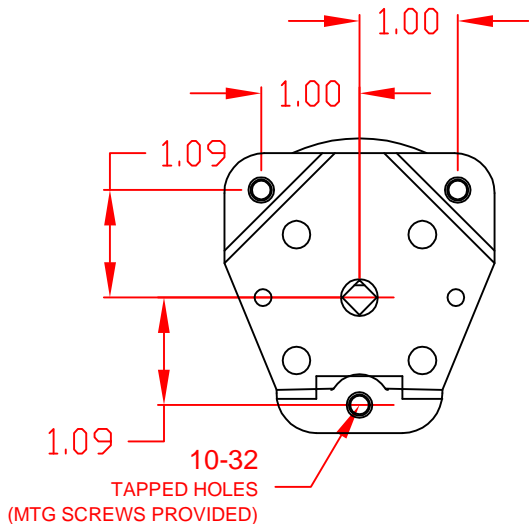
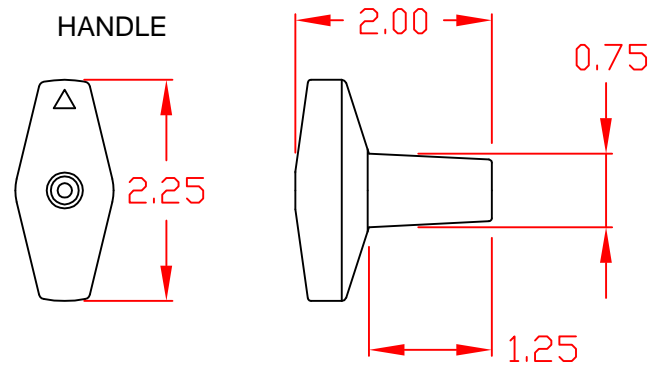
- \* Rotors and Stators: Thermoset Plastic, UL 94VO
- \* Rotor contacts: Phosphor bronze
- \* Stator contacts: Silver plated copper, screw type
- \* Terminal hardware: silver plated brass
- \* Exterior Metal: Steel with zinc chromate finish

**CONTACT TABLE**

DECK	CONTACTS	POSITION							
		1	2	3	4	5	6	7	8
1	11	12							
	12		13						
	13			14					
	14				15				
	15					16			
	16						17		
	17							18	
	18								11
	2	21	22						
22			23						
23				24					
24					25				
25						26			
26							27		
27								28	
28									21



TYPICAL  
TERMINAL/ROTOR/STATOR  
ORIENTATION FOR  
ALL DECKS



HANDLE TYPE: B (OVAL)  
"A" DIM: 1.61  
"B" DIM: 2.41