

**SHALLCO SERIES 26**  
**Part Number: 26202B-2**



**General:**

Meets requirements for 1 - 25 ampere switching of resistive loads to .75 power factor at voltages to 600 V AC and 250 V DC resistive loads

**Electrical Ratings:** 25A/120 VAC  
 15A/600 VAC  
 20A/600 VAC (RES)  
 3A/125 VDC  
 1A/250 VDC



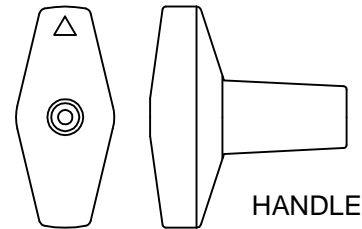
- \* Current carrying capacity: 25 amperes
- \* Dielectric Withstanding Voltage: 2200 Vrms
- \* Contact Resistance: Initial, 10 milliohms max.
- \* Insulation Resistance: 100 Megohms min., initial

DECK	CONTACTS	POS	
		1	2
1	11 —  — 12	X	
	12 —  — 13		X
	15 —  — 16	X	
	16 —  — 17		X
2	21 —  — 22	X	
	22 —  — 23		X
	25 —  — 26	X	
	26 —  — 27		X

**CONTACT TABLE**

**Mechanical:**

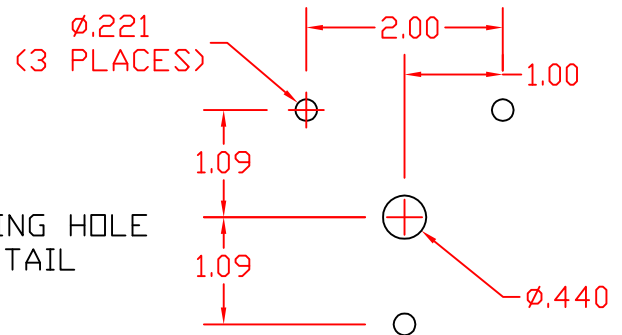
- \* Sections: 2
- \* Positions: 2
- \* Indexing: 45° positive detent
- \* Rotational Life: 65,000 operations



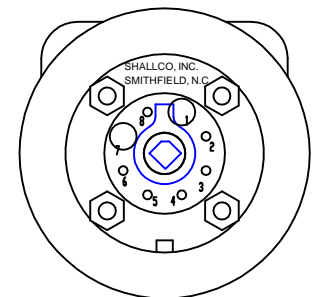
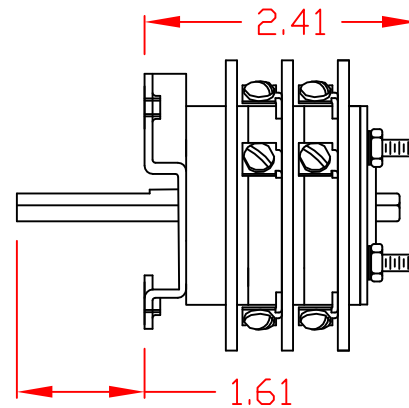
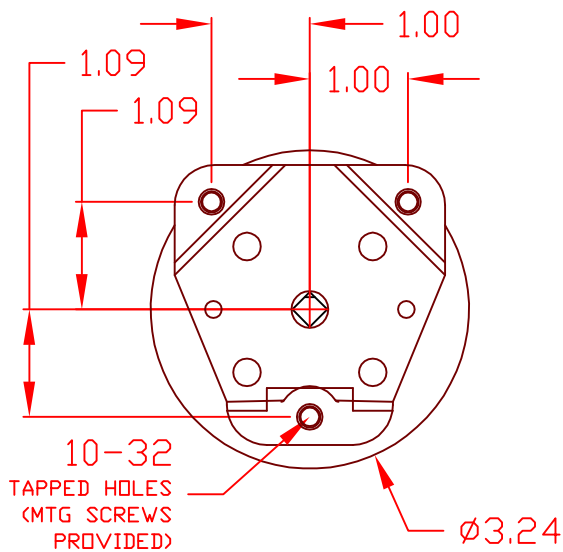
**HANDLE**

**Materials and Finishes:**

- \* Rotors and Stators: Thermoset Plastic UL 94VO
- \* Rotor contacts: Phosphor bronze
- \* Stator contacts: Silver plated copper screw type
- \* Terminal hardware: silver plated brass
- \* Exterior Metal: Steel with zinc chromate finish



**MOUNTING HOLE DETAIL**



**26202B-2**



308 COMPONENTS DRIVE  
 SMITHFIELD, NC 27577 USA