

**SHALLCO SERIES 26**  
**Part Number: 26201D**  
**VOLTMETER SELECTOR SWITCH**



308 COMPONENTS DRIVE  
 SMITHFIELD, NC 27577 USA

**Electrical:**

- 25/A125VAC\
- 15A/600 VAC
- 20A/600 VAC (RES)
- 3A/125 VDC
- 1A/250 VDC



- \* Dielectric Withstanding Voltage: 2200 Vrms
- \* Contact Resistance: Initial, 10 milliohms max.
- \* Insulation Resistance: 100 Megohms min., initial

**Mechanical:**

- \* Sections: 1
- \* Positions: 8 (Break before Make), adjustable
- \* Indexing: 45° positive detent
- \* Rotational Life: 65,000 operations

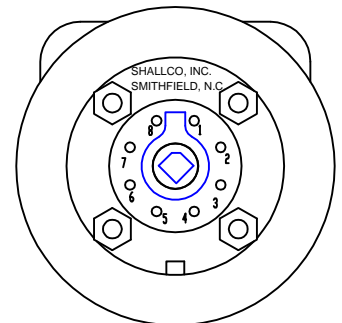
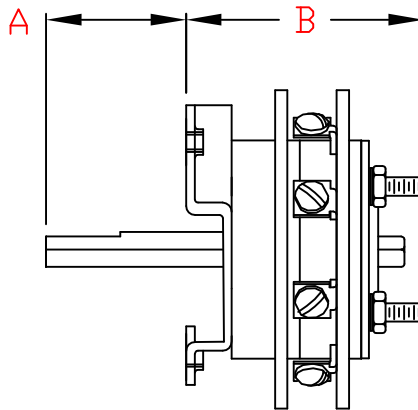
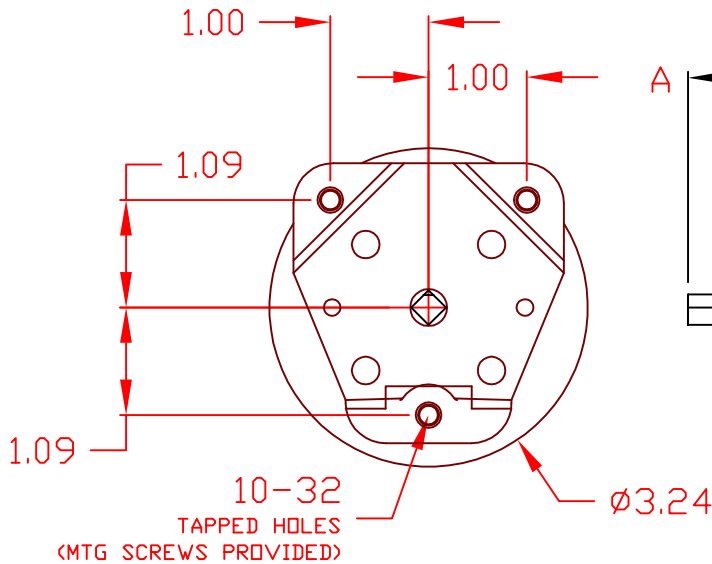
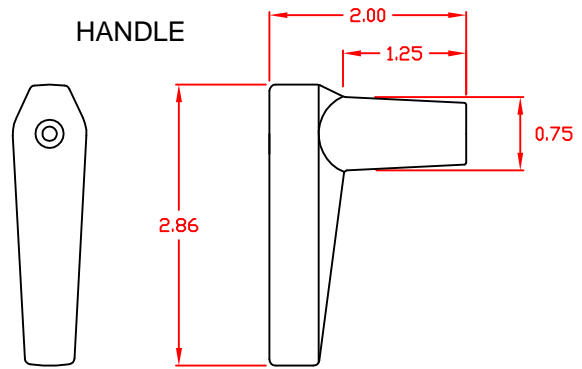
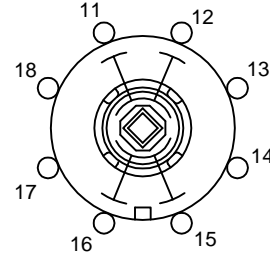
**Materials and Finishes:**

- \* Rotors and Stators: Thermoset Plastic, UL 94VO
- \* Rotor contacts: Phosphor bronze
- \* Stator contacts: Silver plated copper, screw type
- \* Terminal hardware: silver plated brass
- \* Exterior Metal: Steel with zinc chromate finish
- \* Knob: thermoset phenolic



**CONTACT TABLE**

DECK	CONTACTS	POSITION							
		1	2	3	4	5	6	7	8
1	11 —  — 12	X				X			
	12 —  — 13		X				X		
	13 —  — 14			X				X	
	14 —  — 15				X				X
	15 —  — 16	X				X			
	16 —  — 17		X				X		
	17 —  — 18			X				X	
	18 —  — 11				X				X



26201D

REV.B

HANDLE TYPE: D (PISTOL GRIP)

"A" DIM: 1.61

"B" DIM: 2.41



308 COMPONENTS DRIVE  
 SMITHFIELD, NC 27577 USA