

General:

Meets requirements for 1 - 25 ampere switching of resistive loads to .75 power factor at voltages to 600 V AC and 250 V DC resistive loads

Electrical:

* Ratings

25A/120 VAC
 20A/600 VAC (RES)
 3A/125 VDC
 1A/250 VDC



CONTACT TABLE

DECK	CONTACTS	POSITION							
		1	2	3	4	5	6	7	8
1	11 — — 12	X				X			
	12 — — 13		X				X		
	13 — — 14			X				X	
	14 — — 15				X				X
	15 — — 16	X				X			
	16 — — 17		X				X		
	17 — — 18			X				X	
	18 — — 11				X				X

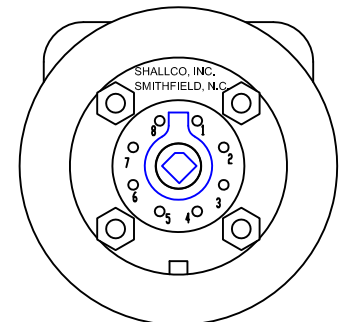
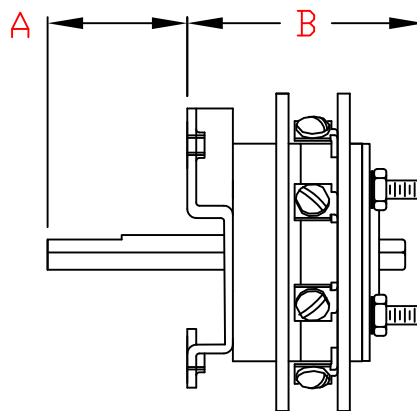
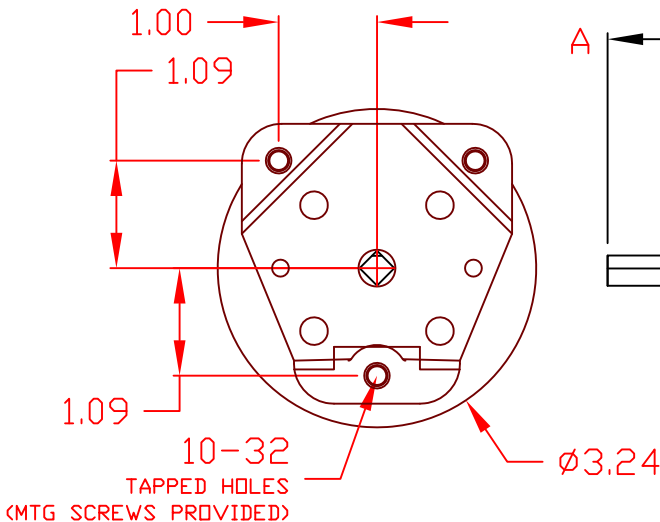
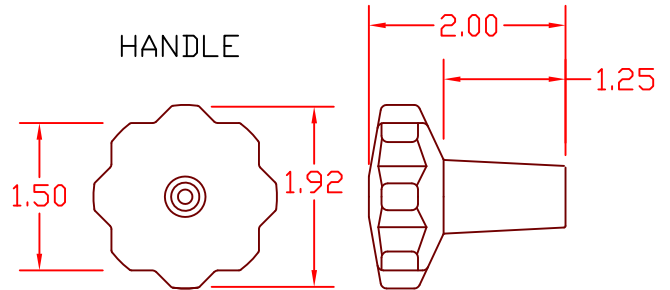
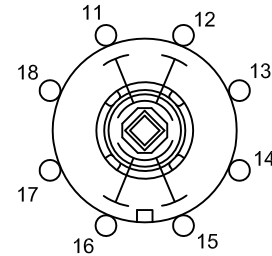
- * Current carrying capacity: 25 amperes
- * Dielectric Withstanding Voltage: 2200 Vrms
- * Contact Resistance: Initial, 10 milliohms max.
- * Insulation Resistance: 100 Megohms min., initial

Mechanical:

- * Sections: 1
- * Positions: Adjustable (See Contact Table and Operation)
- * Operation: Non-shorting
- * Indexing: 45°
- * Rotational Life: 65,000 operations
- * Handle: Oval

Materials and Finishes:

- * Rotors and Stators: Thermoset Plastic, UL 94VO
- * Rotor contacts: Phosphor bronze
- * Stator contacts: Silver plated copper, screw type
- * Terminal hardware: silver plated brass
- * Exterior Metal: Steel with zinc chromate finish



HANDLE TYPE: B (OVAL)
 "A" DIM: 1.61
 "B" DIM: 2.41