

**SHALLCO SERIES 26**  
**Part Number: 26201B**



**General:**

Meets requirements for 1 - 25 ampere switching of resistive loads to .75 power factor at voltages to 600 V AC and 250 V DC resistive loads

**Electrical:**

\* Ratings

- 25A/120 VAC
- 20A/600 VAC (RES)
- 15A/600 VAC
- 3A/125 VDC
- 1A/250 VDC



- \* Current carrying capacity: 25 amperes
- \* Dielectric Withstanding Voltage: 2200 Vrms
- \* Contact Resistance: Initial, 10 milliohms max.
- \* Insulation Resistance: 100 Megohms min., initial

**Mechanical:**

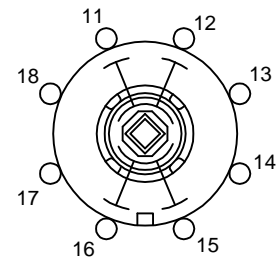
- \* Sections: 1
- \* Positions: Adjustable (See Contact Table and Operation)
- \* Operation: Non-shorting
- \* Indexing: 45°
- \* Rotational Life: 65,000 operations
- \* Handle: Oval

**Materials and Finishes:**

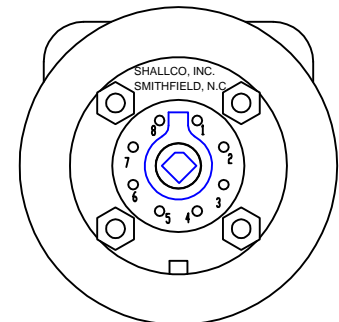
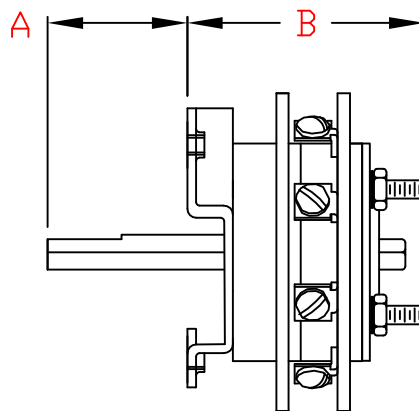
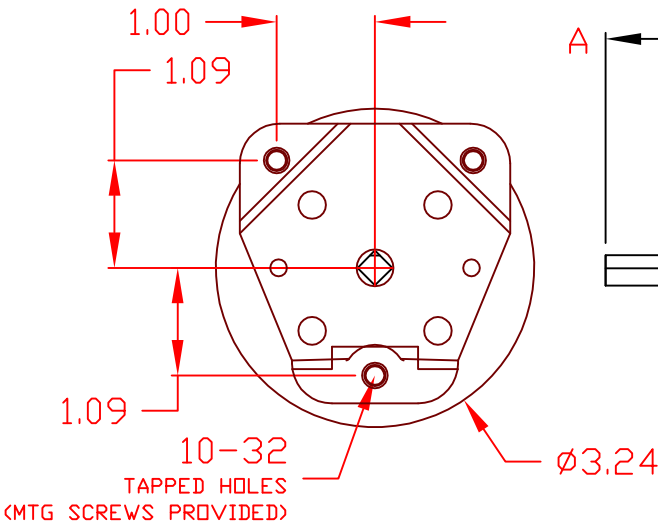
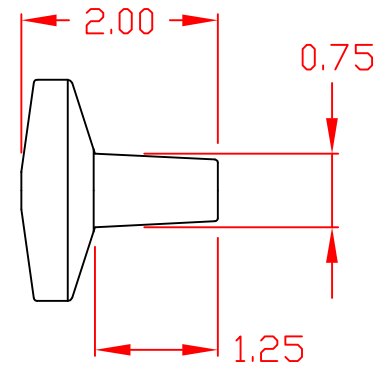
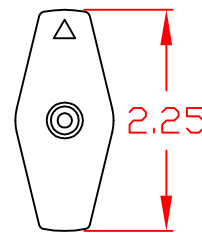
- \* Rotors and Stators: Thermoset Plastic, UL 94VO
- \* Rotor contacts: Phosphor bronze
- \* Stator contacts: Silver plated copper, screw type
- \* Terminal hardware: silver plated brass
- \* Exterior Metal: Steel with zinc chromate finish

**CONTACT TABLE**

DECK	CONTACTS	POSITION							
		1	2	3	4	5	6	7	8
1	11 —  — 12	X				X			
	12 —  — 13		X				X		
	13 —  — 14			X				X	
	14 —  — 15				X				X
	15 —  — 16	X							
	16 —  — 17		X				X		
	17 —  — 18			X				X	
	18 —  — 11				X				X



HANDLE



HANDLE TYPE: B (OVAL)  
 "A" DIM: 1.61  
 "B" DIM: 2.41