

SHALLCO SERIES 26
Part Number: 26201B-2



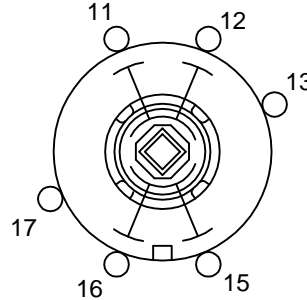
General:

Meets requirements for 1 - 25 ampere switching of resistive loads to .75 power factor at voltages to 600 V AC and 250 V DC resistive loads

Electrical:

* Ratings

25A/120 VAC
 20A/600 VAC (RES)
 15A/600 VAC
 3A/125 VDC
 1A/250 VDC



		1		2	
DECK	CONTACTS	POS			
		1	2		
1	11 ——— 12	X			
	12 ——— 13		X		
	15 ——— 16	X			
	16 ——— 17		X		

CONTACT TABLE

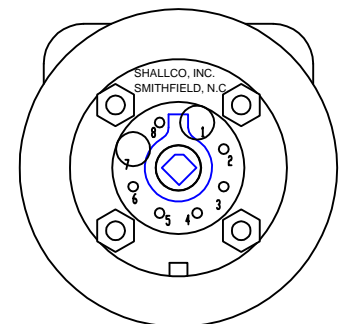
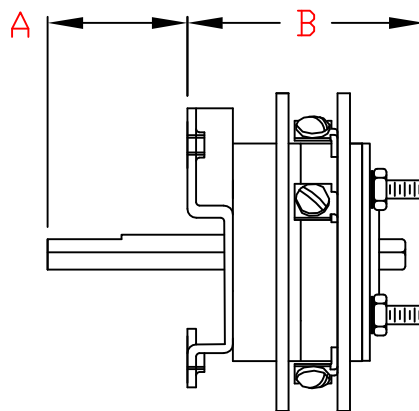
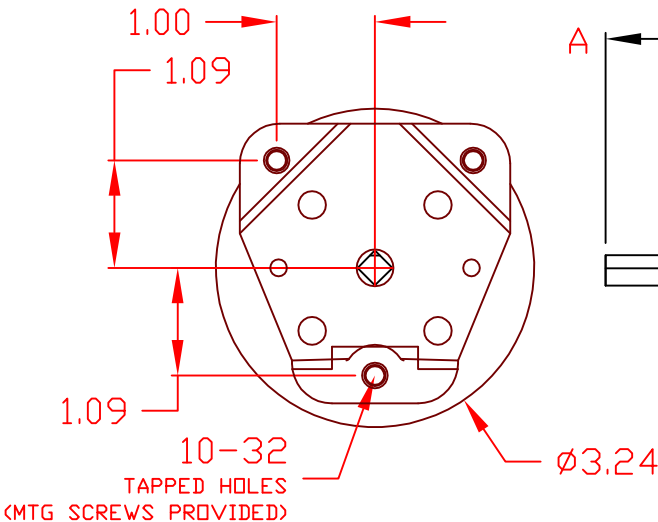
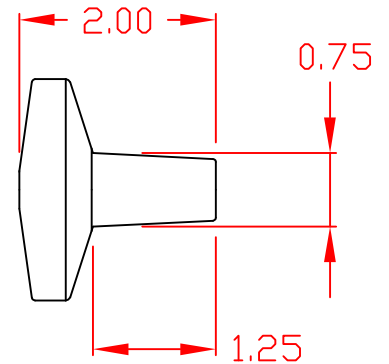
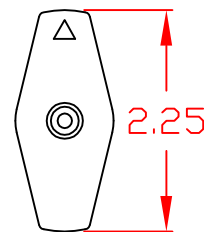
Mechanical:

- * Sections: 1
- * Positions: 2 (See Contact Table and Operation)
- * Operation: Non-shorting
- * Indexing: 45°
- * Rotational Life: 65,000 operations
- * Handle: Oval

Materials and Finishes:

- * Rotors and Stators: Thermoset Plastic, UL 94VO
- * Rotor contacts: Phosphor bronze
- * Stator contacts: Silver plated copper, screw type
- * Terminal hardware: silver plated brass
- * Exterior Metal: Steel with zinc chromate finish

HANDLE



HANDLE TYPE: B (OVAL)

"A" DIM: 1.61

"B" DIM: 2.41