

SHALLCO SERIES 26
Part Number: 2617C Ammeter-Voltmeter Switch

General:
Meets requirements for 1 - 25 ampere switching of resistive loads to .75 power factor at voltages to 600 V AC and 250 V DC resistive loads

Electrical:

- * Ratings:
- 25A/120 VAC
- 15A/600 VAC
- 20A/600 VAC (RESISTIVE)
- 3A/125 VDC
- 1A/250 VDC



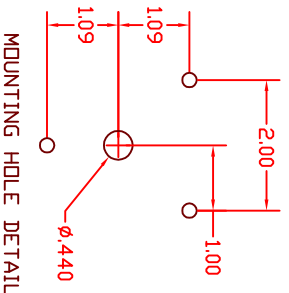
- * Current carrying capacity: 25 amperes
- * Dielectric Withstanding Voltage: 2200 Vrms
- * Contact Resistance: Initial, 10 milliohms max.
- * Insulation Resistance: 100 Megohms min., initial

Mechanical:

- * Sections: 8
- * Positions: 5
- * Indexing: 45°
- * Rotational Life: 65,000 operations

Materials and Finishes:

- * Rotors and Stators: Thermoset Plastic; UL 94V0
- * Rotor contacts: Phosphor bronze
- * Stator contacts: Silver plated copper, screw type
- * Terminal hardware: silver plated brass
- * Exterior Metal: Steel with zinc chromate finish
- * Knob: thermoset phenolic

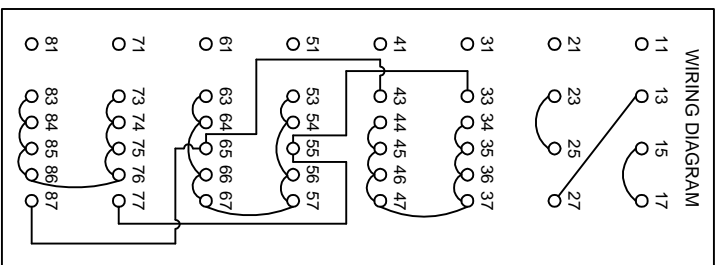
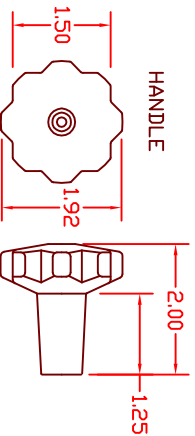
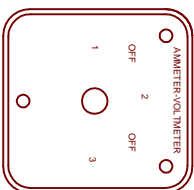


DESCRIPTION

2617C

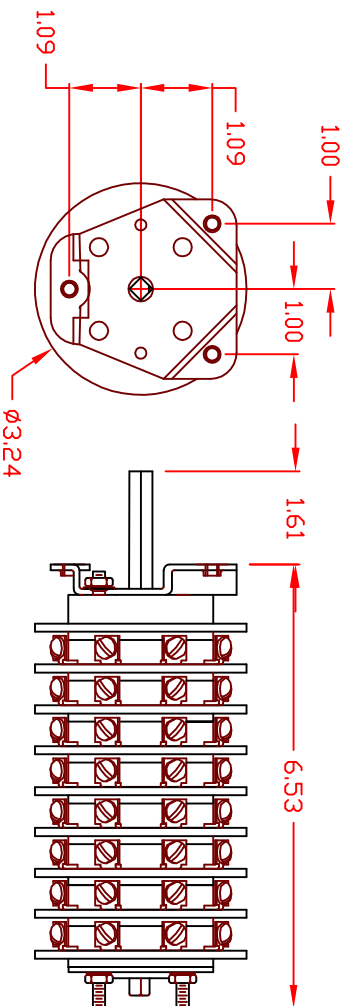
REV.

308 COMPONENTS DRIVE
SMITHFIELD, NC 27577 USA



CONTACT TABLE

CONTACTS	POSITION		
	1	2	3
1			
2			
3			
4			
5			
6			
7			
8			



TERMINAL SCREW TIGHTENING TORQUE: : 8 IN-LBS.

