

SHALLCO SERIES 26

Part Number: 2615C

VOLTMETER-AMMETER TRANSFER SWITCH

3-phase, phase-to-phase

three current-transformers

General:

Meets requirements for 1 - 25 ampere switching of resistive loads to .75 power factor at voltages to 600 V AC and 250 V DC resistive loads

Electrical:

- * Voltages: 250 V DC, 600 V AC
- * Current carrying capacity: 25 amperes
- * Dielectric Withstanding Voltage: 2200 Vrms
- * Contact Resistance: Initial, 10 milliohms max.
- * Insulation Resistance: 100 Megohms min., initial

Mechanical:

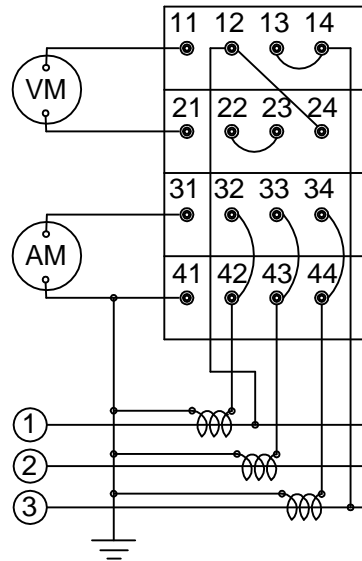
- * Sections: 4
- * Positions: 5 See Schematic Diagram
- * Indexing: 45°
- * Rotational Life: 65,000 operations

Materials and Finishes:

- * Rotors and Stators: Thermoset Plastic, UL 94VO
- * Rotor contacts: Phosphor bronze
- * Stator contacts: Silver plated copper, screw type
- * Terminal hardware: silver plated brass
- * Exterior Metal: Steel with zinc chromate finish
- * Knob: thermoset phenolic



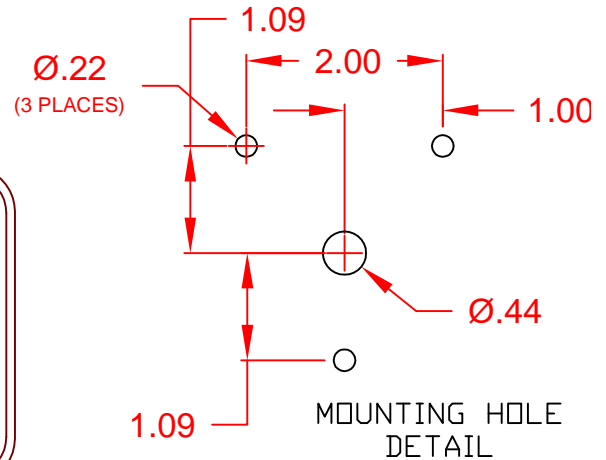
308 COMPONENTS DRIVE
SMITHFIELD, NC 27577 USA



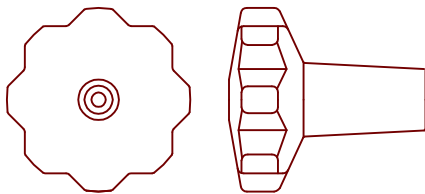
DECK	CONTACTS	POSITIONS		
		1*	2*	3
1	11-O12		X	
	11-O13			X
	11-O14			X
2	21-O22	X		
	21-O23		X	
	21-O24			X
3	31-O32	X	X	X
	31-O33		X	X
	31-O34			X
4	41-O42	X	X	X
	41-O43	X	X	X
	41-O44	X	X	X

* denotes make-before-break

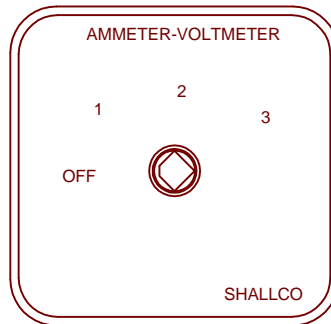
CONTACT TABLE



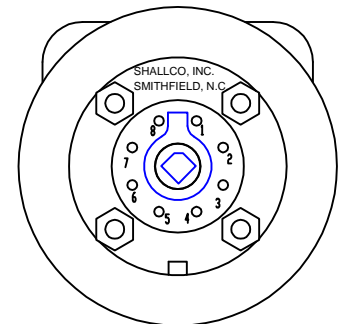
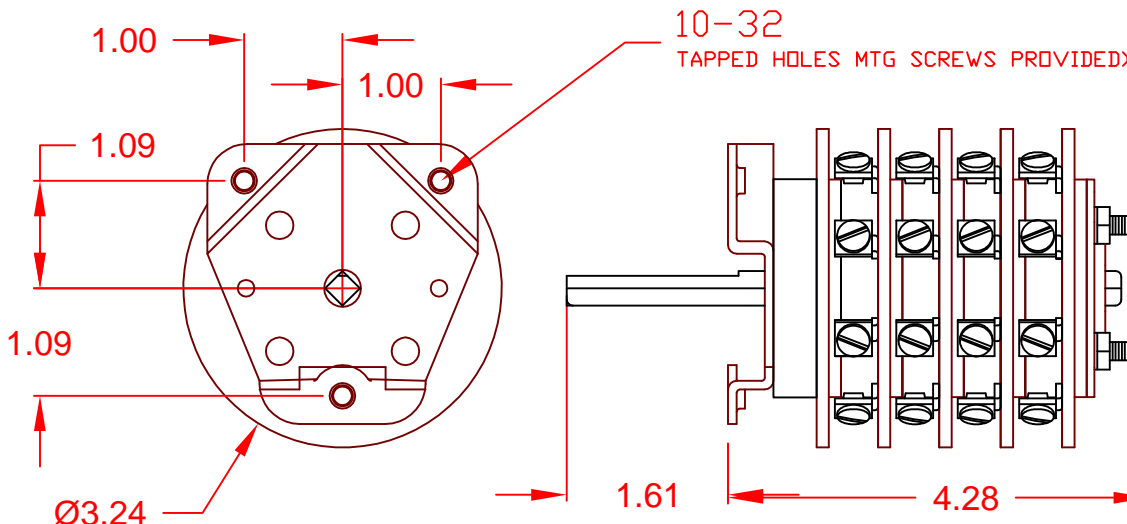
MOUNTING HOLE
DETAIL



HANDLE



NAMEPLATE



2615C

REV. A



CUSTOMER REFERENCE: TERMINAL SCREWF TIGHTENING TORQUE: 8 IN-LBS