

SHALLCO SERIES 26

Part Number: 2610C

AMMETER TRANSFER SWITCH

3-phase, 3 Current Transformers

General:

Meets requirements for 1 - 25 ampere switching of resistive loads to .75 power factor at voltages to 600 V AC and 250 V DC resistive loads

Electrical:

- * Ratings: 25A/120 VAC
- 15A/600 VAC
- 20A/600 VAC (RESISTIVE)
- 3A/125 VDC
- 1A/250 VDC



- * Current carrying capacity: 25 amperes
- * Dielectric Withstanding Voltage: 2200 Vrms
- * Contact Resistance: Initial, 10 milliohms max.
- * Insulation Resistance: 100 Megohms min., initial

Mechanical:

- * Sections: 2
- * Positions: 4 continuous, "Off" + 3 "On"
- * Deck 1 Nonshorting, Deck 2 Shorting (See Diagram)
- * Indexing: 45° positive detent
- * Rotational Life: 65,000 operations

Materials and Finishes:

- * Rotors and Stators: Thermoset Plastic, UL 94VO
- * Rotor contacts: Phosphor bronze
- * Stator contacts: Silver plated copper, screw type
- * Terminal hardware: silver plated brass
- * Exterior Metal: Steel with zinc chromate finish
- * Knob: thermoset phenolic

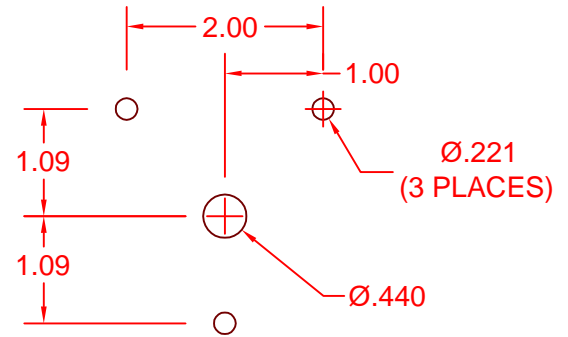
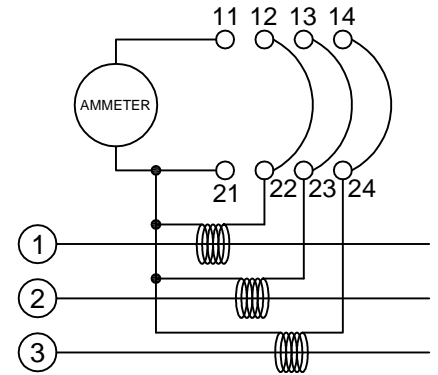


308 COMPONENTS DRIVE
SMITHFIELD, NC 27577 USA

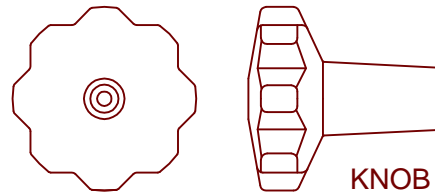
TRUTH TABLE

DECK	CONTACTS	POSITION			
		OFF	* 1	* 2	* 3
1	11				
	12	X	X		
	13			X	X
	14				X
2	21	X	X	X	X
	22	X	X	X	X
	23	X	X	X	X
	24	X	X	X	X

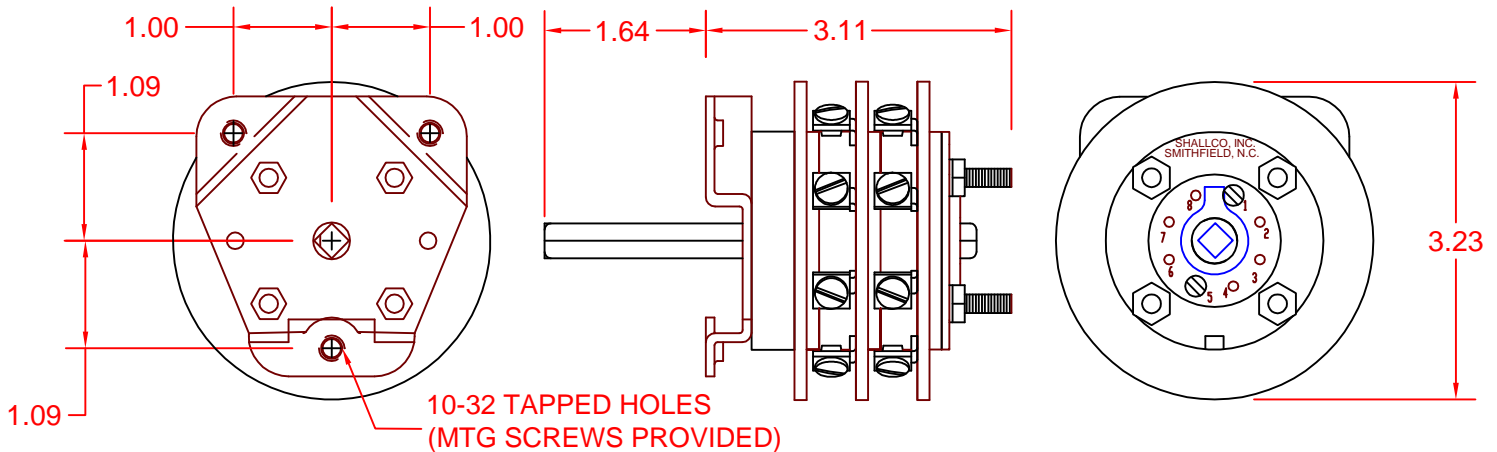
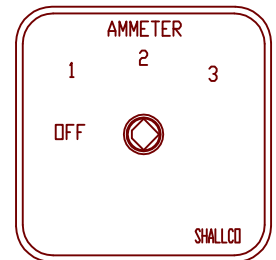
WIRING DIAGRAM



MOUNTING HOLE
DETAIL



KNOB



2610C



308 COMPONENTS DRIVE
SMITHFIELD, NC 27577 USA