

General:

Meets requirements for 1 - 25 ampere switching of resistive loads to .75 power factor at voltages to 600 V AC and 250 VDC resistive loads

Electrical:

- * Ratings: 25A/120 VAC
- 15A/600 VAC
- 20A/600 VAC (RESISTIVE)
- 3A/125 VDC
- 1A/250 VDC
- * Current carrying capacity: 25 amperes
- * Dielectric Withstanding Voltage: 2200 Vrms
- * Contact Resistance: Initial, 10 milliohms max.
- * Insulation Resistance: 100 Megohms min., initial

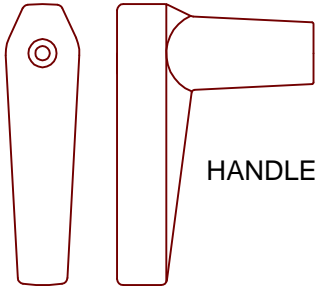


Mechanical:

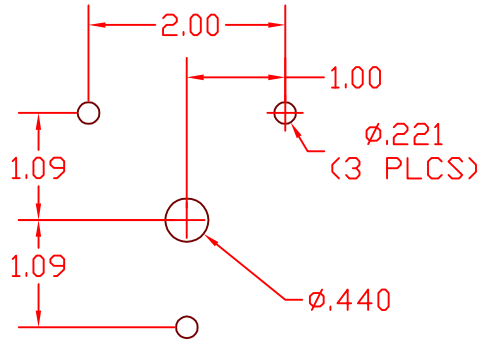
- * Sections: 1
- * Positions: 2
- * Indexing: 45°
- * Rotational Life: 65,000 operations

Materials and Finishes:

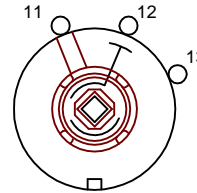
- * Rotors and Stators: Thermoset Plastic, UL 94VO
- * Rotor contacts: Phosphor bronze
- * Stator contacts: Silver plated copper, screw type
- * Terminal hardware: silver plated brass
- * Exterior Metal: Steel with zinc chromate finish
- * Knob: thermoset phenolic



HANDLE

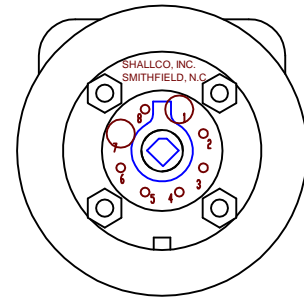
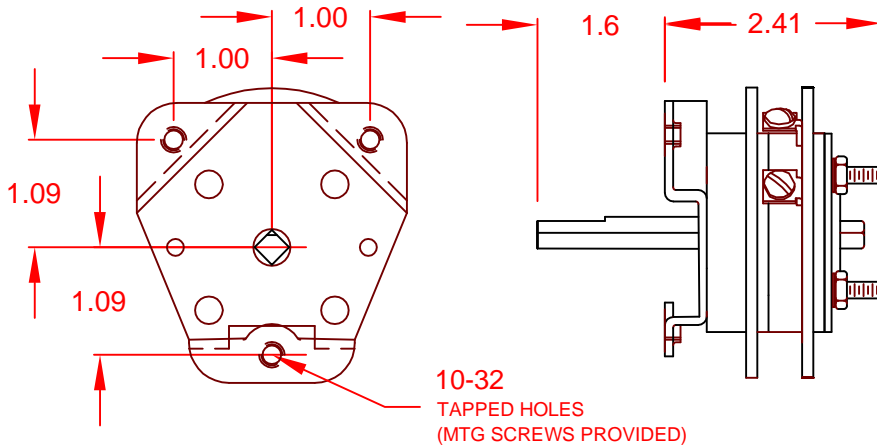


MOUNTING HOLE DETAIL



| | 1 | 2 | | | | |
|------|----------|---|---|---|---|---|
| | | | | | | |
| DECK | CONTACTS | POS | | | | |
| | | 1 2 | | | | |
| 1 | | <table border="1"> <tr> <td style="text-align: center;">1</td> <td style="text-align: center;">2</td> </tr> <tr> <td style="text-align: center;">X</td> <td style="text-align: center;">X</td> </tr> </table> | 1 | 2 | X | X |
| 1 | 2 | | | | | |
| X | X | | | | | |

CONTACT TABLE



261001D-2