

**Part Number: 2610012B**

**General:**

Meets requirements for 1 - 25 ampere switching of resistive loads to .75 power factor at voltages to 600 V AC and 250 V DC resistive loads

**Electrical:**

- \* Ratings 25A/120 VAC
- 15A/600 VAC
- 20A/600 VAC (RES)
- 3A/125 VDC
- 1A/250 VDC



- \* Current carrying capacity: 25 amperes
- \* Dielectric Withstanding Voltage: 2200 Vrms
- \* Contact Resistance: Initial, 10 milliohms max.
- \* Insulation Resistance: 100 Megohms min., initial

**Mechanical:**

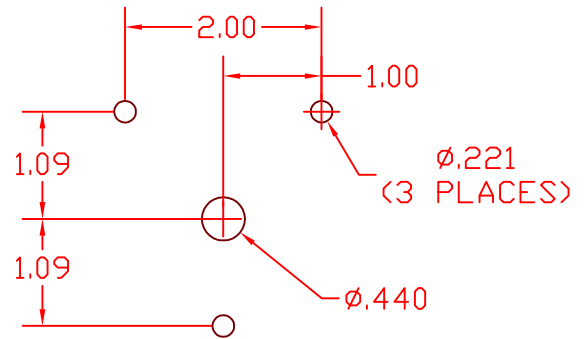
- \* Sections: 1
- \* Positions: 1 THRU 7 + OFF (Adjustable)
- \* Indexing: 45°
- \* Rotational Life: 65,000 operations

**Materials and Finishes:**

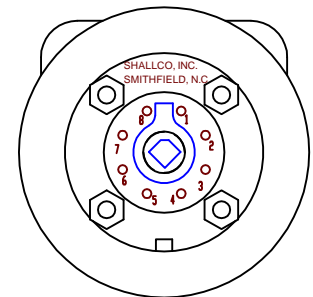
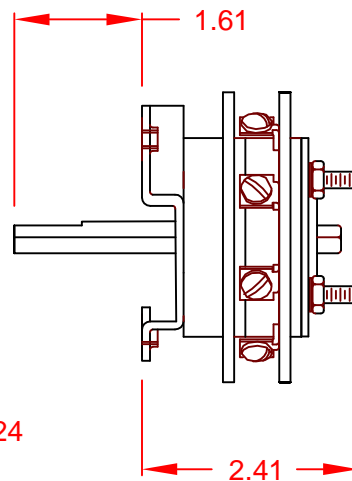
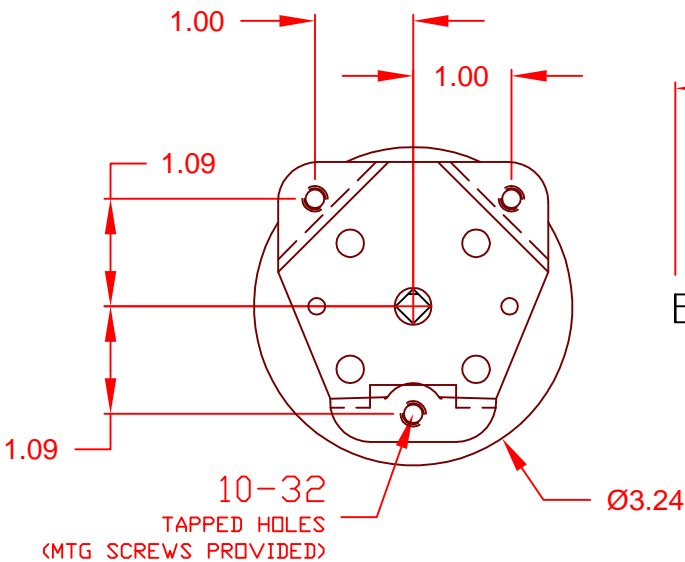
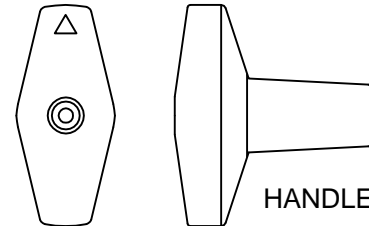
- \* Rotors and Stators: Thermoset Plastic, UL 94VO
- \* Rotor contacts: Phosphor bronze
- \* Stator contacts: Silver plated copper, screw type
- \* Terminal hardware: silver plated brass
- \* Exterior Metal: Steel with zinc chromate finish
- \* Knob: thermoset phenolic

**CONTACT TABLE**

DECK	CONTACTS	POSITION							
		1	2	3	4	5	6	7	OFF
1	11		X						
	12			X					
	13				X				
	14					X			
	15						X		
	16							X	
	17								X
18									X



**MOUNTING HOLE DETAIL**



**261001B**