

# SHALLCO SERIES 26

## Part Number: 2604C

### VOLTMETER TRANSFER SWITCH

3-phase, phase-to-phase



308 COMPONENTS DRIVE  
SMITHFIELD, NC 27577 USA

#### General:

Meets requirements for 1 - 25 ampere switching of resistive loads to .75 power factor at voltages to 600 V AC and 250 V DC resistive loads

#### Electrical:

- \* Ratings: 25A/120 VAC
- 15A/600 VAC
- 20A/600 VAC (RESISTIVE)
- 3A/125 VDC
- 1A/250 VDC



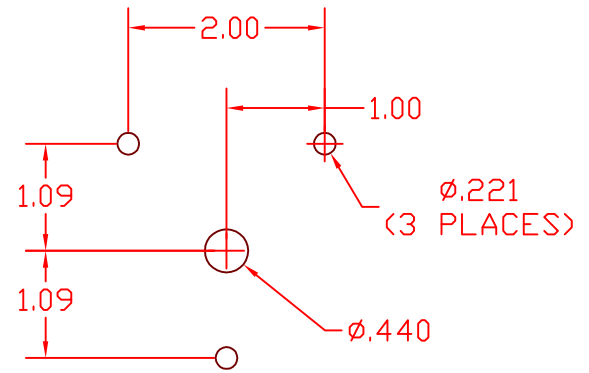
- \* Current carrying capacity: 25 amperes
- \* Dielectric Withstanding Voltage: 2200 Vrms
- \* Contact Resistance: Initial, 10 milliohms max.
- \* Insulation Resistance: 100 Megohms min., initial

#### Mechanical:

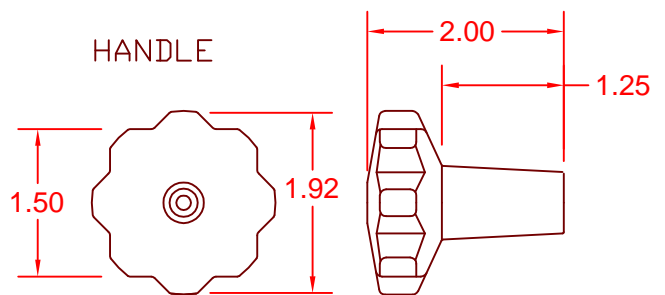
- \* Sections: 2
- \* Positions: 4 See Schematic Diagram
- \* Indexing: 45°
- \* Rotational Life: 65,000 operations

#### Materials and Finishes:

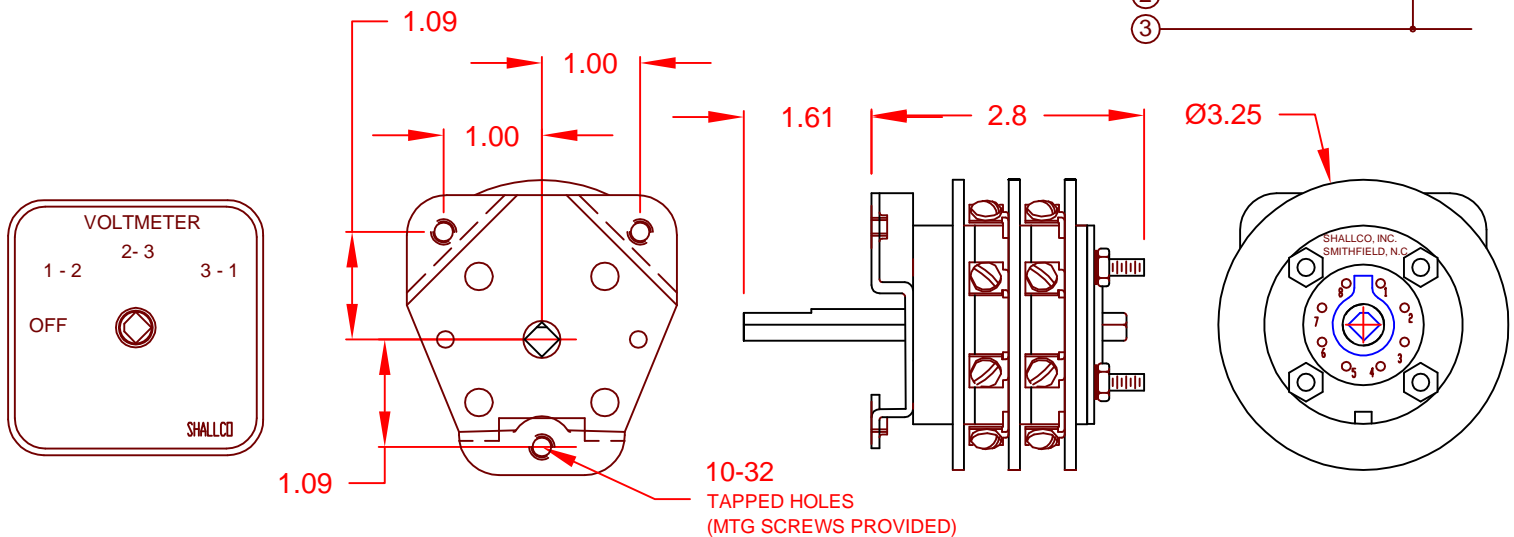
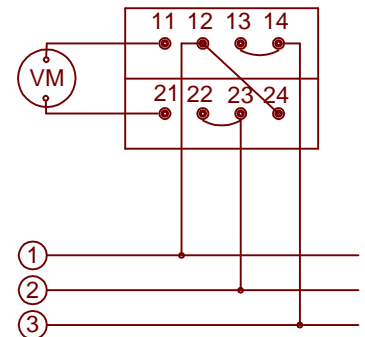
- \* Rotors and Stators: Thermoset Plastic, UL 94VO
- \* Rotor contacts: Phosphor bronze
- \* Stator contacts: Silver plated copper, screw type
- \* Terminal hardware: silver plated brass
- \* Exterior Metal: Steel with zinc chromate finish
- \* Knob: thermoset phenolic



MOUNTING HOLE DETAIL



DECK	CONTACTS	POSITIONS			
		OFF	1-2	2-3	3-1
1	11O		X		
	11O12			X	
	11O13				X
2	21O				X
	21O22	X			
	21O23		X		
	21O24				X



# 2604C

REV. B



308 COMPONENTS DRIVE  
SMITHFIELD, NC 27577 USA