

DESCRIPTION:

SHALLCO SERIES 16 KEYLOCK SWITCH
 PART NO: 16L2-B-1-1
 NO. OF SECTIONS: 1
 NO. OF POSITIONS: 3, 1 POSITION BOTH CLOCKWISE
 AND COUNTER-CLOCKWISE WITH SPRING RETURN
 TO CENTER (REST) -

INDEXING: 45°
 CIRCUIT: L (SEE DIAGRAM)
 TYPE ACTION: NON-SHORTING
 DETENT: STANDARD
 STOPS INSTALLED: YES
 TERMINALS: SCREW TYPE, HARDWARE SUPPLIED
 MOUNTING HARDWARE: SUPPLIED

ELECTRICAL RATINGS:
 15 A @ 125 VAC
 5 A @ 250 VAC
 3 A @ 600 VAC
 5 A @ 30 VDC
 1 A @ 125 VDC

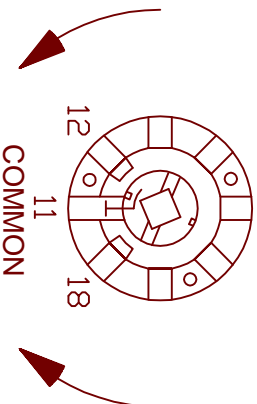


DIELECTRIC WITHSTANDING VOLTAGE: 1500 VRMS
 CONTACT RESISTANCE: 10 MILLIOHMS MAX. INITIAL
 INSULATION RESISTANCE: 1000 MEGOHMS, INITIAL

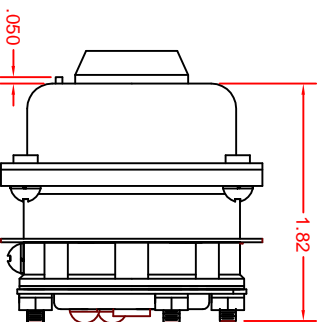
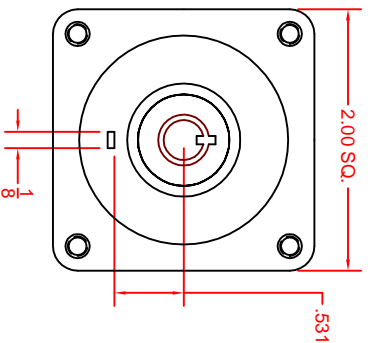
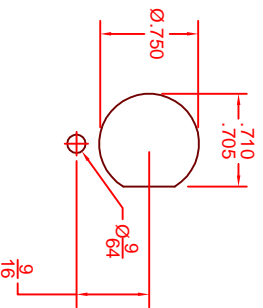


308 COMPONENTS DRIVE
 SMITHFIELD, NC 27577 USA

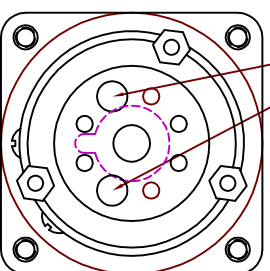
DECK	CONTACTS	POSITION		
		CCW	CENTER	CW
1		X		X



MTG. HOLE DETAIL



INSTALL STOPS
 IN #2 & 7



DESCRIPTION

16L2-B-1-1



308 COMPONENTS DRIVE
 SMITHFIELD, NC 27577 USA