

DESCRIPTION:

SHALLCO SERIES 16 KEYLOCK SWITCH
 PART NO: 16K2-B-1-1
 NO. OF SECTIONS: 1
 NO. OF POSITIONS: 2, WITH SPRING RETURN TO REST - (POSITION 1)

INDEXING: 45°
 CIRCUIT: K (SEE DIAGRAM)
 TYPE ACTION: NON-SHORTING
 DETENT: STANDARD
 STOPS INSTALLED: YES
 TERMINALS: SCREW TYPE, HARDWARE SUPPLIED
 MOUNTING HARDWARE: SUPPLIED

ELECTRICAL RATINGS:

- 15 A @ 125 VAC
- 5 A @ 250 VAC
- 3 A @ 600 VAC
- 5 A @ 30 VDC
- 1 A @ 125 VDC

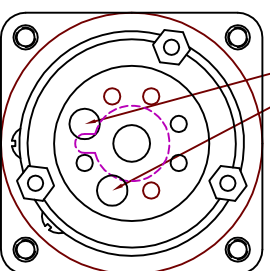
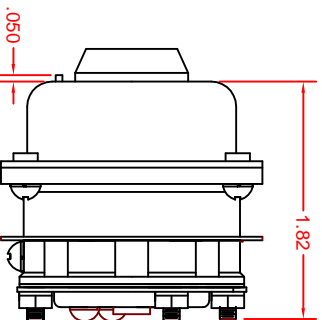
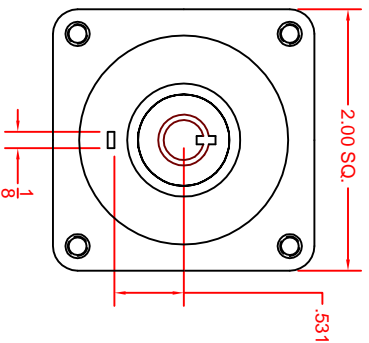
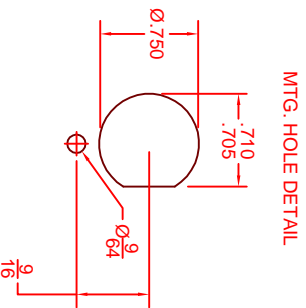
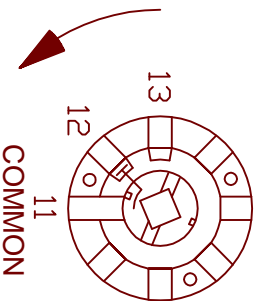


DIELECTRIC WITHSTANDING VOLTAGE: 1500 VRMS
 CONTACT RESISTANCE: 10 MILLIOHMS MAX. INITIAL
 INSULATION RESISTANCE: 1000 MEGOHMS, INITIAL



308 COMPONENTS DRIVE
 SMITHFIELD, NC 27577 USA

DECK	CONTACTS	POSITION	
		1	2
1	11 12 13	X	X



INSTALL STOPS
 IN #1 & 7

DESCRIPTION

16K2-B-1-1



308 COMPONENTS DRIVE
 SMITHFIELD, NC 27577 USA