

DESCRIPTION:

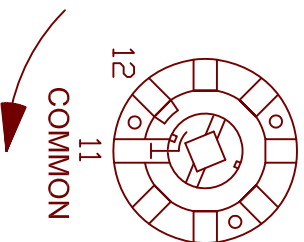
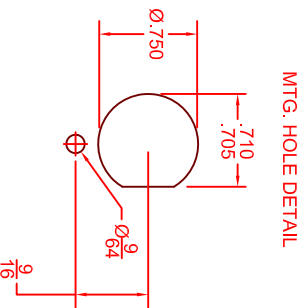
SHALLCO SERIES 16 KEYLOCK SWITCH
 PART NO: 16J2-B-1-1
 NO. OF SECTIONS: 1
 NO. OF POSITIONS: 2, WITH SPRING RETURN TO THE OFF POSITION (KEY REMOVABLE IN THE OFF POSITION)

INDEXING: 45°
 CIRCUIT: J (SEE DIAGRAM)
 TYPE ACTION: NON-SHORTING
 DETENT: STANDARD
 STOPS INSTALLED: YES
 TERMINALS: SCREW TYPE, HARDWARE SUPPLIED
 MOUNTING HARDWARE: SUPPLIED

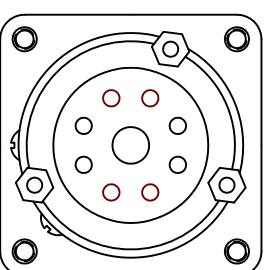
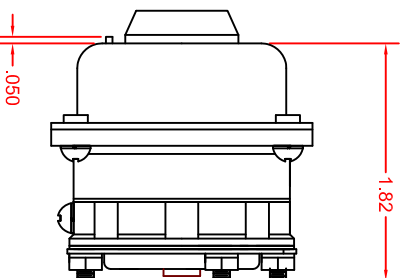
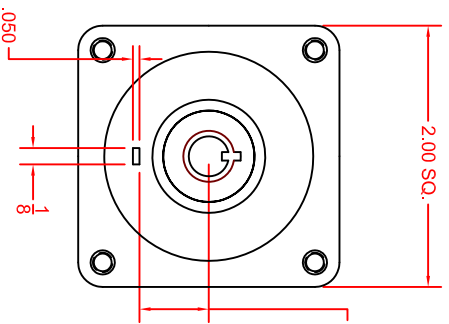
ELECTRICAL RATINGS:
 15 A @ 125 VAC
 5 A @ 250 VAC
 3 A @ 600 VAC
 5 A @ 30 VDC
 1 A @ 125 VDC



DIELECTRIC WITHSTANDING VOLTAGE: 1500 VRMS
CONTACT RESISTANCE: 10 MILLIOHMS MAX. INITIAL
INSULATION RESISTANCE: 1000 MEGOHMS, INITIAL



DECK	CONTACTS	POSITION
1	11 — 12	1 (off) 2



LTR	DESCRIPTION	DATE	APP'D
REVISIONS			

DESCRIPTION

16J2-B-1-1



308 COMPONENTS DRIVE
 SMITHFIELD, NC 27577 USA

DRAWN	P. DORRMAN	3-22-13
SCALE	1X	

16J2-B-1-1

SHEET 1 OF 1