

SHALLCO SERIES 16 SWITCH

PART NO: 16C1-M-7

NO. OF SECTIONS: 7

INDEXING: 45°

CIRCUIT: A (SEE SCHEMATIC)

TYPE ACTION: SHORTING

DETENT: STANDARD

STOPS INSTALLED: NO

TERMINALS: SCREW TYPE, HARDWARE SUPPLIED

PHENOLIC POINTER KNOB: SUPPLIED

MOUNTING HARDWARE: SUPPLIED

ELECTRICAL RATINGS:

15 A @ 125 VAC

5 A @ 250 VAC

3 A @ 600 VAC

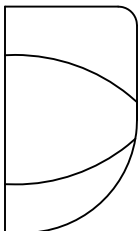
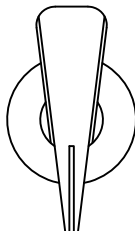
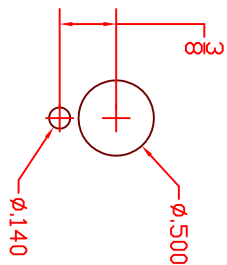
5 A @ 30 VDC

1 A @ 125 VDC



DIELECTRIC WITHSTANDING VOLTAGE: 1500 VRMS
 CONTACT RESISTANCE: 10 MILLIOHMS MAX. INITIAL
 INSULATION RESISTANCE: 1000 MEGOHMS, INITIAL

MOUNTING
 DIMENSIONS

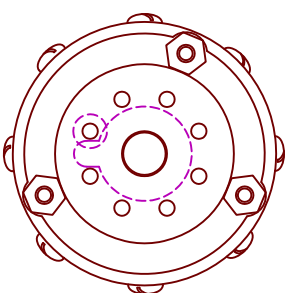
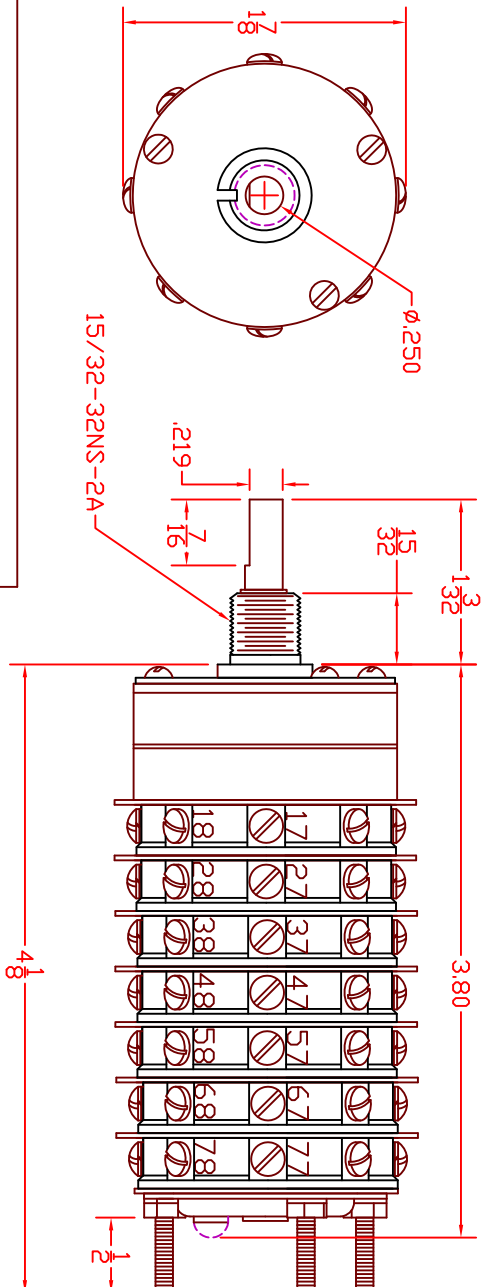


POINTER STYLE
 KNOB SUPPLIED

CONTACT TABLE

DECK	CONTACTS	POSITION
		1 2 3 4 5 6 7 8
1	11	12
1	12	13
1	13	14
1	14	15
1	15	16
1	16	17
1	17	18
1	18	19
1	19	20
1	20	21
2	21	22
2	22	23
2	23	24
2	24	25
2	25	26
2	26	27
2	27	28
2	28	29
2	29	30
2	30	31
3	31	32
3	32	33
3	33	34
3	34	35
3	35	36
3	36	37
3	37	38
3	38	39
3	39	40
4	40	41
4	41	42
4	42	43
4	43	44
4	44	45
4	45	46
4	46	47
4	47	48
4	48	49
4	49	50

DECK	CONTACTS	POSITION
		1 2 3 4 5 6 7 8
5	51	52
5	52	53
5	53	54
5	54	55
5	55	56
5	56	57
5	57	58
5	58	59
5	59	60
5	60	61
5	61	62
5	62	63
5	63	64
5	64	65
5	65	66
5	66	67
5	67	68
5	68	69
5	69	70
5	70	71
5	71	72
5	72	73
5	73	74
5	74	75
5	75	76
5	76	77
5	77	78
5	78	79
5	79	80



DESCRIPTION

16C1-M-7