

SHALLCO SERIES 16 SWITCH

PART NO: 16C1-B-4 SR

NO. OF SECTIONS: 4

INDEXING: 45° WITH SPRING RETURN

CIRCUIT: C (CONTACT TABLE)

TYPE ACTION: NON-SHORTING

DETENT: NONE

STOPS:: ADJUSTABLE

TERMINALS: SCREW TYPE, HARDWARE SUPPLIED

PHENOLIC POINTER KNOB: SUPPLIED

MOUNTING HARDWARE: SUPPLIED



ELECTRICAL RATINGS:

15 A @ 125 VAC

5 A @ 250 VAC

3 A @ 600 VAC

5 A @ 30 VDC

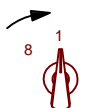
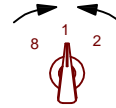
1 A @ 125 VDC



DIELECTRIC WITHSTANDING VOLTAGE: 1500 VRMS

CONTACT RESISTANCE: 10 MILLIOHMS MAX. INITIAL

INSULATION RESISTANCE: 1000 MEGHOHMS, INITIAL



DECK	CONTACTS	POS		
		8	1	2
1	18 11	X		
	11 12		X	
	12 13			X
	14 15	X		
	15 16		X	
	16 17			X
2	28 21	X		
	21 22		X	
	22 23			X
	24 25	X		
	25 26		X	
	26 27			X
3	38 31	X		
	31 32		X	
	32 33			X
	34 35	X		
	35 36		X	
	36 37			X
4	48 41	X		
	41 42		X	
	42 43			X
	44 45	X		
	45 46		X	
	46 47			X

DECK	CONTACTS	POS	
		1	2
1	12 11	X	
	13 16		X
	15 17	X	
2	22 21	X	
	23 26		X
	27 25	X	
3	32 31	X	
	33 36		X
	35 37	X	
4	42 41	X	
	43 46		X
	45 47	X	

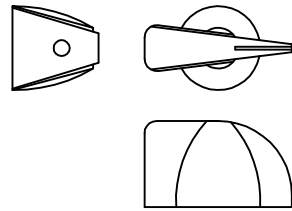
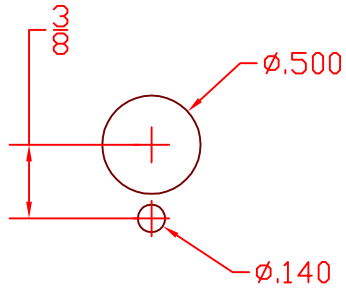
DECK	CONTACTS	POS	
		8	1
1	11 18	X	
	12 15		X
	14 16	X	
2	21 28	X	
	22 25		X
	24 26	X	
3	31 38	X	
	32 35		X
	34 36	X	
4	41 48	X	
	42 45		X
	44 46	X	

CONTACT TABLE
2 POSITIONS
(STOPS SET IN
2 & 8 ON
REAR PANEL)

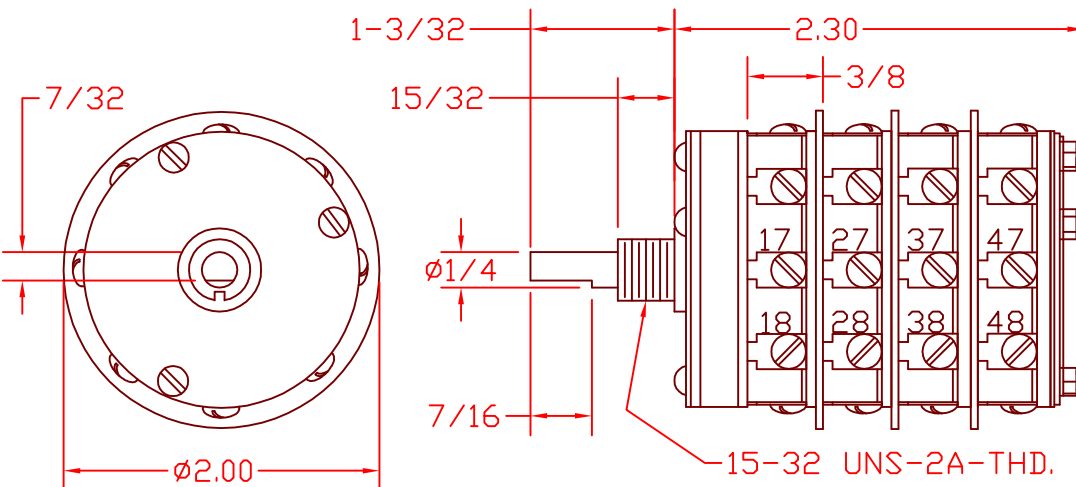
CONTACT TABLE
2 POSITIONS
(STOPS SET IN
1 & 7 ON
REAR PANEL)

CONTACT TABLE
3 POSITIONS
(STOPS SET IN 2 & 7 ON
REAR PANEL)

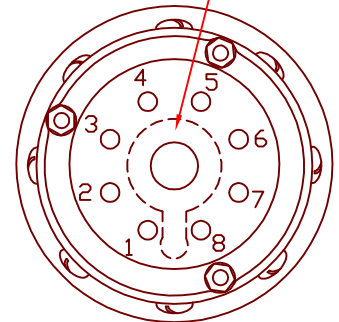
MOUNTING DIMENSIONS



POINTER KNOB



MOVING STOP



DESCRIPTION

16C1-B-4 SR



308 COMPONENTS DRIVE
SMITHFIELD, NC 27577 USA