

SHALLCO SERIES 16 SWITCH

PART NO: 16C1-B-4

NO. OF SECTIONS: 4

INDEXING: 45°

CIRCUIT: C (CONTACT TABLE)

TYPE ACTION: NON-SHORTING

DETENT: STANDARD

STOPS INSTALLED: NO

TERMINALS: SCREW TYPE, HARDWARE SUPPLIED

PHENOLIC POINTER KNOB: SUPPLIED

MOUNTING HARDWARE: SUPPLIED



ELECTRICAL RATINGS:

15 A @ 125 VAC

5 A @ 250 VAC

3 A @ 600 VAC

5 A @ 30 VDC

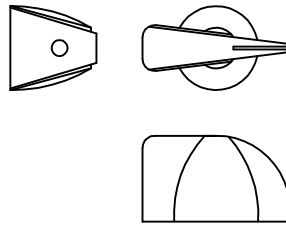
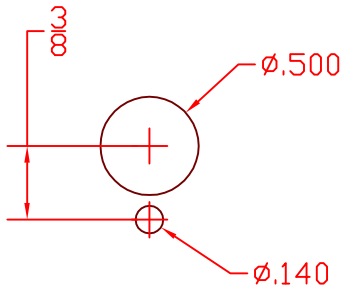
1 A @ 125 VDC



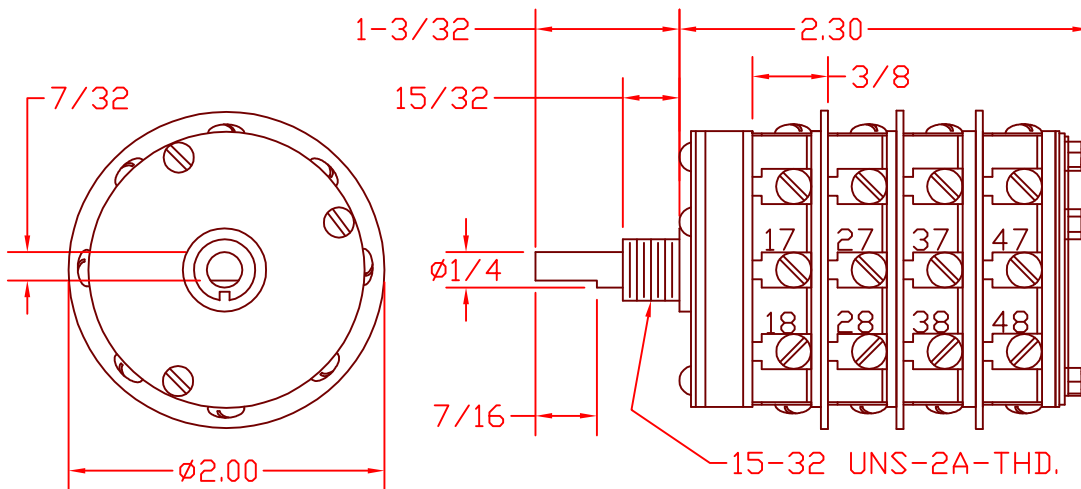
DIELECTRIC WITHSTANDING VOLTAGE: 1500 VRMS  
 CONTACT RESISTANCE: 10 MILLIOHMS MAX. INITIAL  
 INSULATION RESISTANCE: 1000 MEGHOHMS, INITIAL

DECK	CONTACTS	POSITION							
		1	2	3	4	5	6	7	8
1	11 —  — 12	X				X			
	12 —  — 13		X				X		
	13 —  — 14			X				X	
	14 —  — 15				X				X
	15 —  — 16	X				X			
	16 —  — 17		X				X		
	17 —  — 18			X				X	
	18 —  — 11				X				X
2	21 —  — 22		X				X		
	22 —  — 23			X				X	
	23 —  — 24				X				X
	24 —  — 25					X			X
	25 —  — 26	X				X			
	26 —  — 27		X				X		
	27 —  — 28			X				X	
	28 —  — 21				X				X
3	31 —  — 32		X				X		
	32 —  — 33			X				X	
	33 —  — 34				X				X
	34 —  — 35					X			X
	35 —  — 36	X				X			
	36 —  — 37		X				X		
	37 —  — 38			X				X	
	38 —  — 31				X				X
4	41 —  — 42		X				X		
	42 —  — 43			X				X	
	43 —  — 44				X				X
	44 —  — 45					X			X
	45 —  — 46	X				X			
	46 —  — 47		X				X		
	47 —  — 48			X				X	
	48 —  — 41				X				X

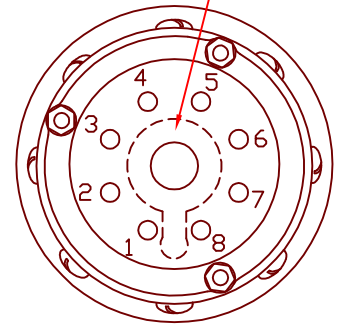
MOUNTING DIMENSIONS



POINTER KNOB



MOVING STOP



DESCRIPTION

16C1-B-4



308 COMPONENTS DRIVE  
 SMITHFIELD, NC 27577 USA