

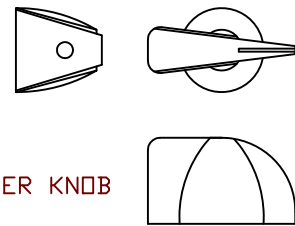
SHALLCO SERIES 16 SWITCH  
 PART NO: 16C1-B-1  
 NO. OF SECTIONS: 1  
 INDEXING: 45°  
 CIRCUIT: B (SEE SCHEMATIC)  
 TYPE ACTION: NONSHORTING  
 DETENT: STANDARD  
 STOPS INSTALLED: NO  
 TERMINALS: SCREW TYPE, HARDWARE SUPPLIED  
 PHENOLIC POINTER KNOB: SUPPLIED  
 MOUNTING HARDWARE: SUPPLIED

DECK	CONTACTS	POSITION							
		1	2	3	4	5	6	7	8
1	11 — 12	X				X			
	12 — 13		X				X		
	13 — 14			X				X	
	14 — 15				X				X
	15 — 16	X				X			
	16 — 17		X				X		
	17 — 18			X				X	
	18 — 11				X				X

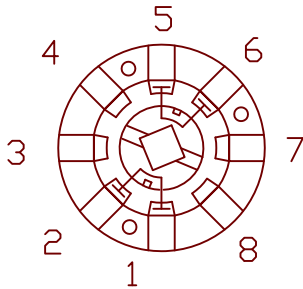
ELECTRICAL RATINGS:  
 15 A @ 125 VAC  
 5 A @ 250 VAC  
 3 A @ 600 VAC  
 5 A @ 30 VDC  
 1 A @ 125 VDC



DIELECTRIC WITHSTANDING VOLTAGE: 1500 VRMS  
 CONTACT RESISTANCE: 10 MILLIOHMS MAX. INITIAL  
 INSULATION RESISTANCE: 1000 MEGOHMS, INITIAL

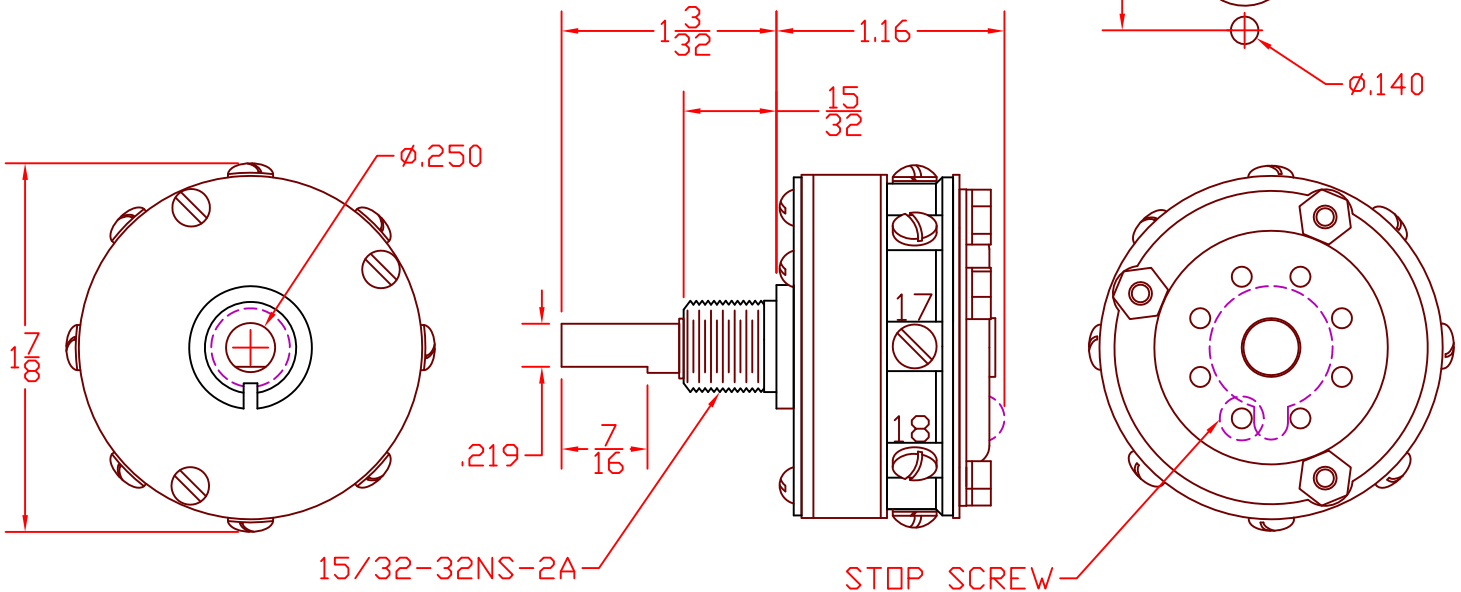


POINTER KNOB



SCHEMATIC DIAGRAM  
 CIRCUIT "C"

MOUNTING DIMENSIONS



15/32-32NS-2A

STOP SCREW

DESCRIPTION

16C1-B-1

DRAWN P.DORMAN 12-2-08

SCALE 1X

16C1-B-1

SHEET 1 OF 1



308 COMPONENTS DRIVE  
 SMITHFIELD, NC 27577 USA