

SHALLCO SERIES 16 SWITCH

PART NO: 16A4-B-1

NO. OF SECTIONS: 1

INDEXING: 45°

CIRCUIT: C (SEE TRUTH TABLE)

TYPE ACTION: NONSHORTING

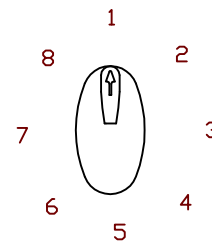
DETENT: STANDARD

STOPS INSTALLED: NO

TERMINALS: SCREW TYPE, HARDWARE SUPPLIED

PHENOLIC POINTER KNOB: SUPPLIED

MOUNTING HARDWARE: SUPPLIED



ELECTRICAL RATINGS:

15 A @ 125 VAC

5 A @ 250 VAC

3 A @ 600 VAC

5 A @ 30 VDC

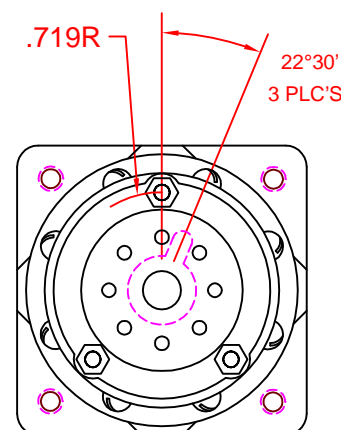
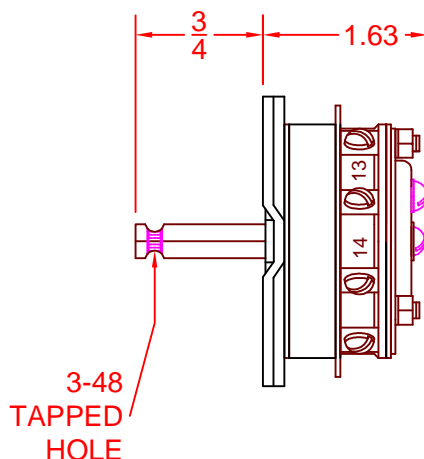
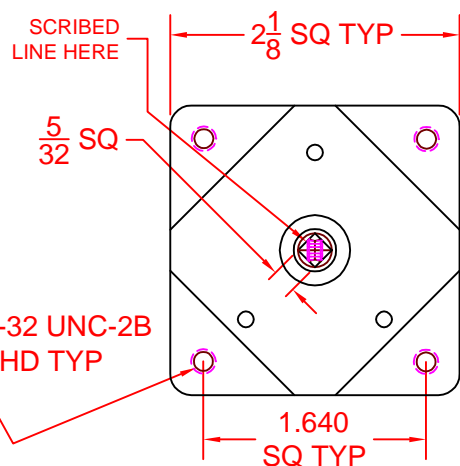
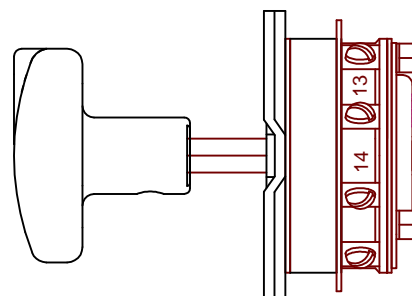
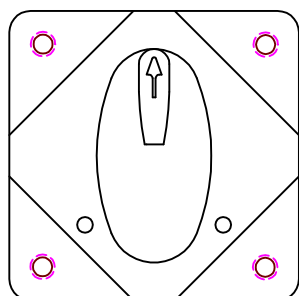
1 A @ 125 VDC



DECK	CONTACTS	POSITION							
		1	2	3	4	5	6	7	8
1	11								
	12		X						
	13			X					
	14				X				
	15					X			
	16						X		
	17							X	
	18								X

"X" DENOTES CONTACT CLOSURE

DIELECTRIC WITHSTANDING VOLTAGE: 1500 VRMS  
 CONTACT RESISTANCE: 10 MILLIOHMS MAX. INITIAL  
 INSULATION RESISTANCE: 1000 MEGHOHMS, INITIAL



DESCRIPTION

16A4-B-1



308 COMPONENTS DRIVE  
 SMITHFIELD, NC 27577 USA