

SHALLCO SERIES 16 SWITCH

PART NO: 16A1-B-2

NO. OF SECTIONS: 2

INDEXING: 45°

CIRCUIT: A (SEE SCHEMATIC)

TYPE ACTION: NONSHORTING

DETENT: STANDARD

STOPS INSTALLED: NO

TERMINALS: SCREW TYPE, HARDWARE SUPPLIED

PHENOLIC POINTER KNOB: SUPPLIED

MOUNTING HARDWARE: SUPPLIED



DECK	CONTACTS	POSITION							
		1	2	3	4	5	6	7	8
1	11								
	12		X						
	13			X					
	14				X				
	15					X			
	16						X		
	17							X	
2	18								X
	21								
	22		X						
	23			X					
	24				X				
	25					X			
	26						X		
	27							X	
	28								X

ELECTRICAL RATINGS:

15 A @ 125 VAC

5 A @ 250 VAC

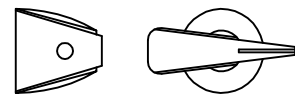
3 A @ 600 VAC

5 A @ 30 VDC

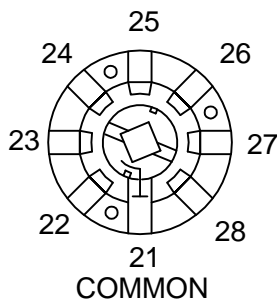
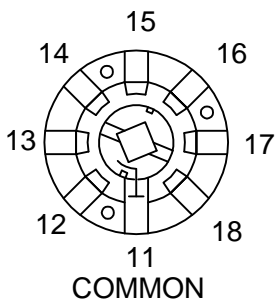
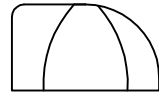
1 A @ 125 VDC



DIELECTRIC WITHSTANDING VOLTAGE: 1500 VRMS
 CONTACT RESISTANCE: 10 MILLIOHMS MAX. INITIAL
 INSULATION RESISTANCE: 1000 MEGHOHMS, INITIAL



POINTER KNOB

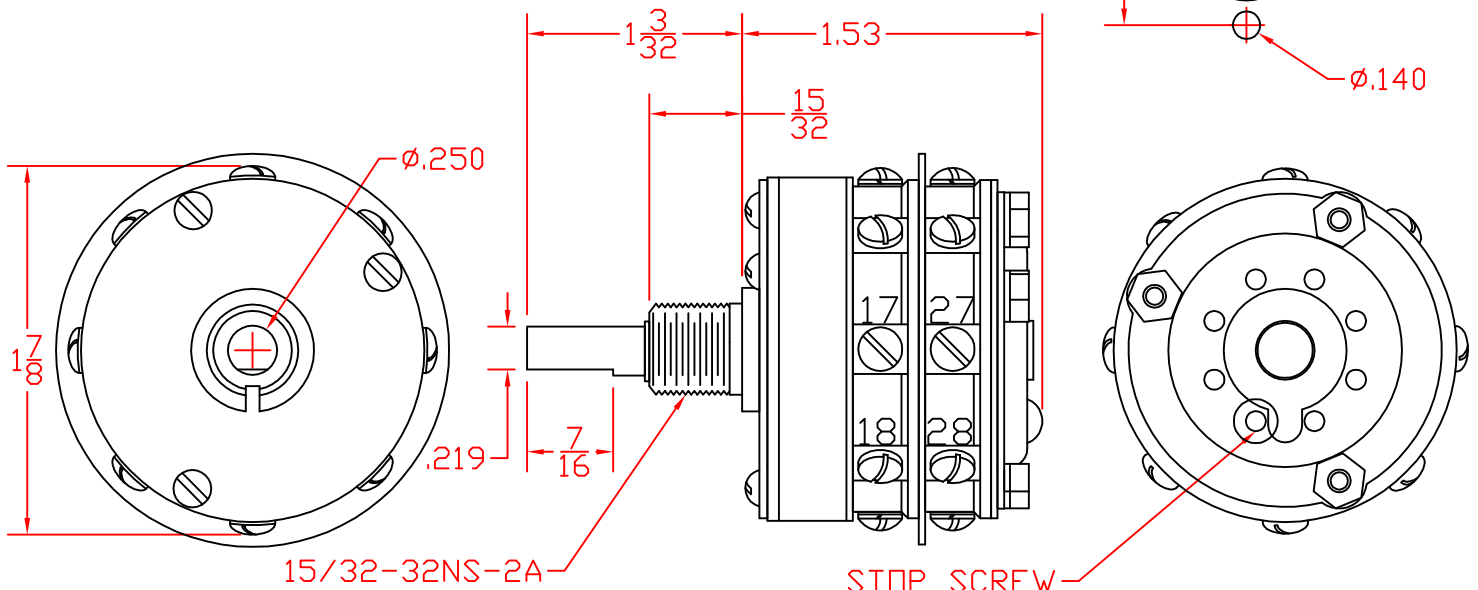
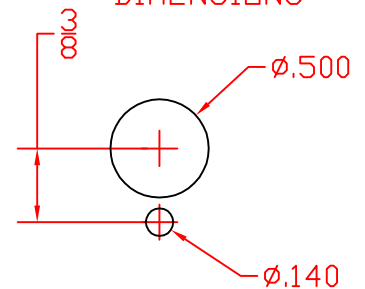


SCHEMATIC DIAGRAM

CIRCUIT "A"

COMMONS LOCATED AT
 TERMINALS 11 & 21
 (SWITCH SHOWN IN
 THE "OFF" POSITION)

MOUNTING DIMENSIONS



DESCRIPTION

16A1-B-2