

SHALLCO SERIES 1610

Part No.: 16A10A1-B-1



308 COMPONENTS DRIVE
SMITHFIELD, NC 27577 USA

General:

Meets requirements for 1 - 13 ampere switching of resistive loads to .75 power factor at voltages to 600 V AC and 28 V DC resistive loads

Electrical:

* Ratings:

- 15 A 125 VAC
- 5 A 250 VAC
- 3 A 600 VAC
- 5 A 30 VDC
- 1 A 125 VDC



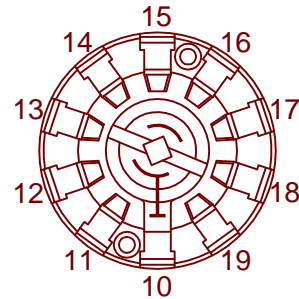
- * Current carrying capacity: 15 amperes
- * Dielectric Withstanding Voltage: 1500 Vrms
- * Contact Resistance: Initial, 10 milliohms max.
- * Insulation Resistance: 1000 Megohms, initial

Mechanical:

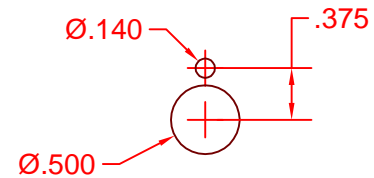
- * Sections: 1;
- * Poles: 1
- * Positions: 10 continuous, "Off" + 9 "On"
- * Operation: Non-shorting (Break Before Make)
- * Indexing: 36° positive detent
- * Rotational Life: 65,000 operations

Materials and Finishes:

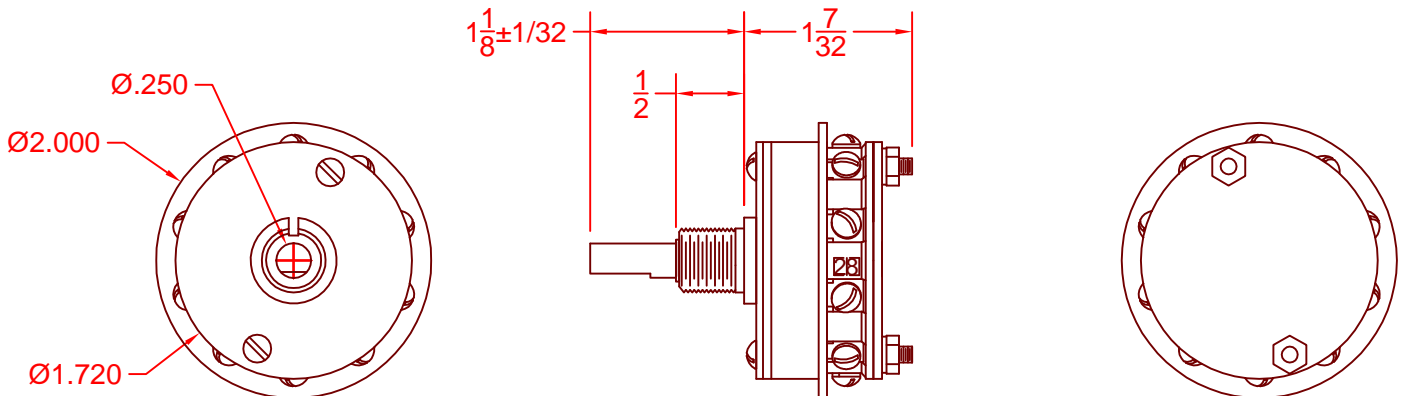
- * Rotors and Stators: Thermoset Plastic, UL 94V0
- * Rotor contacts: Silver plated phosphor bronze
- * Stator contacts: Silver plated copper, screw type
- * Terminal hardware: silver plated brass
- * Exterior Metal: Steel with zinc chromate finish
- * Knob: thermoset (phenolic), black with pointer
- * Mounting hardware: Hex nuts (2), anti-rotation washer, and lockwasher



DECK	CONTACTS	POSITION																				
		1 (OFF)	2	3	4	5	6	7	8	9	10											
1	10		X																			
	11			X																		
	12				X																	
	13					X																
	14						X															
	15							X														
	16								X													
	17									X												
	18										X											
	19											X										



MOUNTING HOLE
DETAIL



1610A1-B-1



308 COMPONENTS DRIVE
SMITHFIELD, NC 27577 USA